

XOMOX[®]

brands you trust.



Resilient Seated Butterfly Valves
Series 7500

CRANE[®]

ChemPharma Flow Solutions

www.cranepharmasolutions.com



XOMOX Resilient Seated Butterfly Valves

Series 7000 XOMOX Butterfly Valves

Page / Contents

3	Design Features
4	Technical Description
4	Seat Temperature Ratings

Series 7500 XOMOX Butterfly Valves for demanding applications

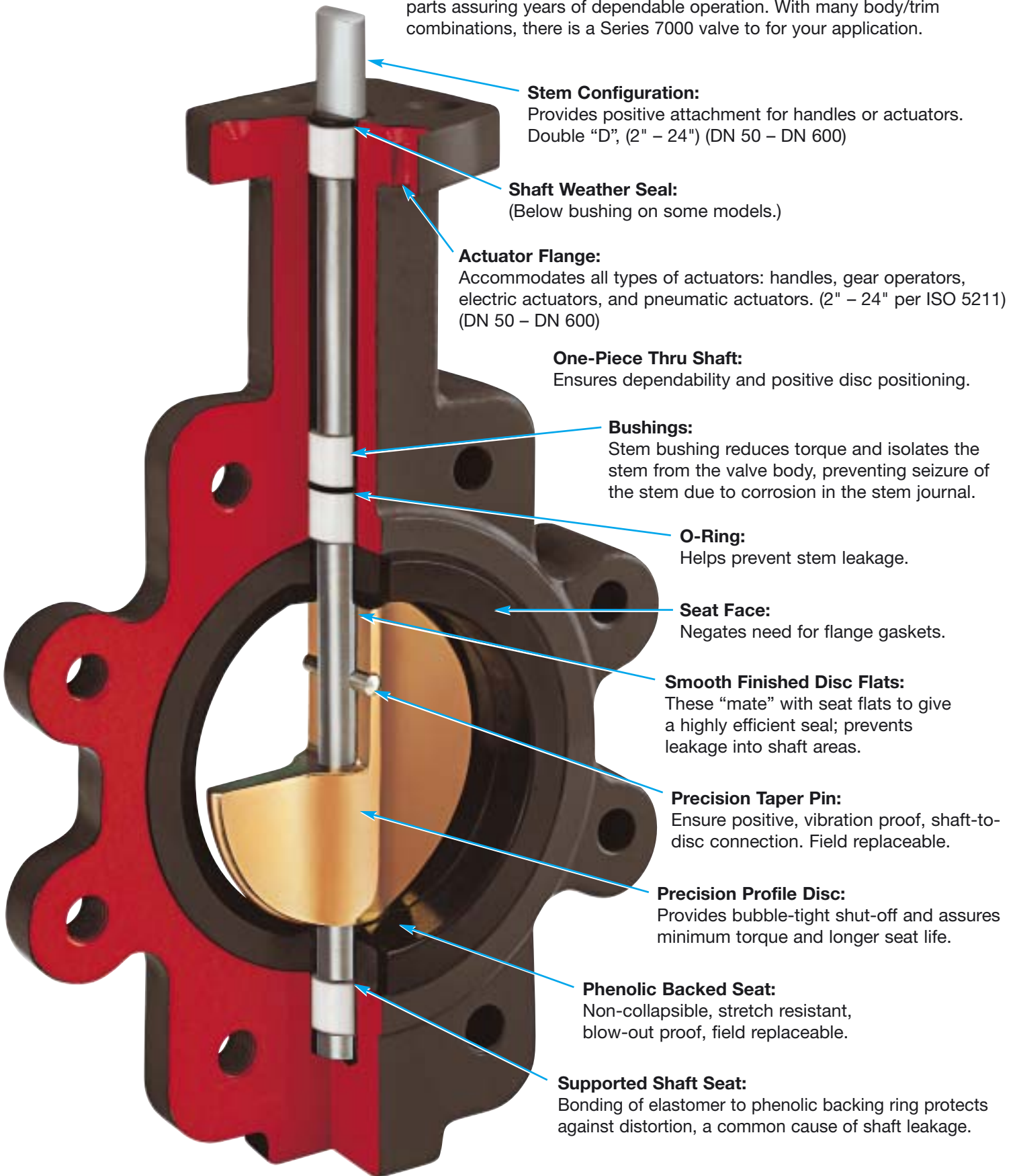
Page / Contents

5	General Description
5	Applications
6	Standard Specifications
6	Characteristics / Features
7	Possible Combinations

These valves have provided years of exceptional, cost-effective service in a wide variety of applications.

XOMOX Butterfly Valves - Series 7000

Quality is designed into the Series 7000 butterfly valve, utilizing a phenolic-backed cartridge seat. These valves feature precision-machined parts assuring years of dependable operation. With many body/trim combinations, there is a Series 7000 valve to for your application.



Stem Configuration:

Provides positive attachment for handles or actuators.
Double "D", (2" – 24") (DN 50 – DN 600)

Shaft Weather Seal:

(Below bushing on some models.)

Actuator Flange:

Accommodates all types of actuators: handles, gear operators, electric actuators, and pneumatic actuators. (2" – 24" per ISO 5211) (DN 50 – DN 600)

One-Piece Thru Shaft:

Ensures dependability and positive disc positioning.

Bushings:

Stem bushing reduces torque and isolates the stem from the valve body, preventing seizure of the stem due to corrosion in the stem journal.

O-Ring:

Helps prevent stem leakage.

Seat Face:

Negates need for flange gaskets.

Smooth Finished Disc Flats:

These "mate" with seat flats to give a highly efficient seal; prevents leakage into shaft areas.

Precision Taper Pin:

Ensure positive, vibration proof, shaft-to-disc connection. Field replaceable.

Precision Profile Disc:

Provides bubble-tight shut-off and assures minimum torque and longer seat life.

Phenolic Backed Seat:

Non-collapsible, stretch resistant, blow-out proof, field replaceable.

Supported Shaft Seat:

Bonding of elastomer to phenolic backing ring protects against distortion, a common cause of shaft leakage.

Representative cut-away

Series 7000 - XOMOX Butterfly Valves



- Qualified for both gaseous and liquid service
- Positive shutoff, bi-directionally
- Phenolic backed cartridge seat
- Three-position PTFE bushing - standard
- Locking handle - standard
- End-of-line service optional
- Ease of automation
- Field repairable
- Complete size range: 2 through 48 inches

Typical Applications:

- Chemical / Petrochemical Processing
- Food & Beverage
- Power & Utilities
- Pulp & Paper
- HVAC

- Available in sizes 2" to 48" (DN 50 – DN 1200).
- Available in Wafer or Lug style body (2" to 30") (DN 50 – DN 750).
- Full flange style body for 36" to 48" valves (DN 900 – DN 1200).
- Wafer body features four alignment holes.
- Pressure ratings for tight shut-off at temperatures up to the maximum limit of the seat material:
 - 2" to 12" - 14 bar (DN 50 – DN 750)
 - 14" to 48" - 10 bar (DN 350 – DN 1200)
- Ideal for on-off or throttling services.
- Available with handles (2" to 12"), manual gear operators (2" to 48"), and electric or pneumatic actuators (2" to 48").
- Refer to XOMOX actuator bulletin for details of pneumatic and electric actuators.
- Designed to comply with MSS SP-67.
- Compatible with ANSI 125/150 flanges.
- Valves 2" to 20" (DN 50 – DN 500) meet the intent and have passed the AWWA C-504-87 Section 5 proof of design tests.
- Type approval certification from ABS for marine applications (2" to 14").
- Bi-directional dead-end capability to 14 bar (2" to 12") and 10 bar (14" to 24") is available.
- For bolting information, consult the XOMOX Installation and Maintenance Manual.

Seat Temperature Ratings

Material	Temperature Ratings °C
Buna-N	-10 to 80
EPDM	-34 to 120
High Temp. Viton	-10 to 200

Although elastomers have an effective operating temperature range, when used in valves, these ranges may have to be modified. The temperature ranges shown in the table have been adjusted accordingly.

For High Temperature: When using High Temperature Viton, the operating pressure of the valve is reduced above 120°C.

Series 7500 - XOMOX Butterfly Valves

- XOMOX Series 7500 Butterfly Valves are used in demanding service applications.
- XOMOX Series 7500 Butterfly Valves are reliable, low maintenance shut-off and control valves.
- Designed for use in gas and liquid pipelines, to a maximum working pressure of 16 bar.
- Suitable for vacuum service
- Blow-out proof stem
- Equipped to handle an operating temperature range of -34°C to 150°C.
- An economical alternative to plug, gate, and ball valves.



XOMOX Series 7500 Butterfly Valves are extremely adaptable and have numerous application possibilities:

- Water treatment
- Chemical industry
- Waste effluent treatment
- Paper industry
- Sugar processing
- Construction
- Drilling / Production
- HVAC
- Cooling water circulation
- Pneumatic conveyors
- Compressed air
- Gas plants
- Desulphurization

XOMOX Butterfly Valves - Series 7500



Standard Specifications

- ISO 9001
- DVGW Gas approval
- Pipe diameters NPS 1½ – 48, (ND 40 – 1200).
- Pressure range PN 6, 10, 16, ANSI Class 150.
- Temperature range -34°C to 150°C.
- Face-to-face dimensions according to APi 609 and ISO 5752 Series 20,
- EN 558-1 Series 20
- Neck flange according to ISO 5211.
- Bubble tight shut-off ANSI Class VI or better.
- Tightness acc. to DIN 3230-T3, Leakrate 1
- Shaft connection NPS 2 – 12 (DN 50 – 300), acc. to DIN 3337

Corrosion Free

- The body lining and disc are the only components of the valve that come into contact with the line medium. These components come in a wide variety of materials which resist degradation from the majority of line media.

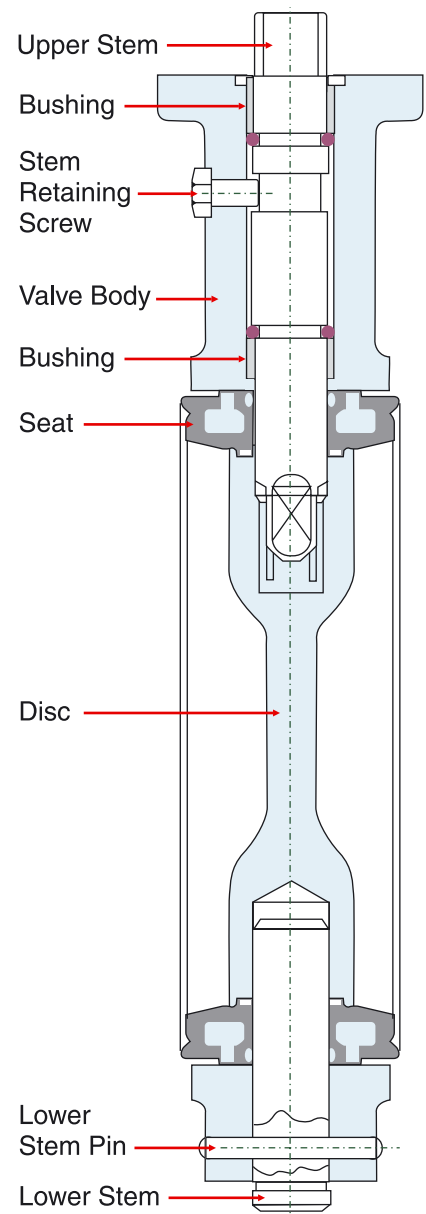
Permanently Tight Closure

- XOMOX Series 7500 Butterfly Valves close liquid and gas tight in both flow directions.
- The disc is pressed with a defined constant compression over the entire disc circumference, into the elastic body lining. The power transmission between disc and spindle is effected via a square drive and provides for an axial movement and self centering of the disc, which prevents overstress and wear of the elastomer.

Suitable for Vacuum Service

- The replaceable body lining consists of a firm back-up ring onto which the elastic seating material is vulcanized, thus creating stability of the seat which prevents deformation of the elastomer during closing.
- The bond between elastomer and back-up ring is strong enough to enable the valve to be used with high flow rates and for vacuum service.

Basic construction



Series 7500 - XOMOX Butterfly Valves

Possible Combinations

Body type	Material	DN 40 – 300 NPS 1½ – 12	DN 350 – 600 NPS 14 – 24	DN 700 – 900 NPS 28 – 36	DN 1000 – 1200 NPS 40 – 48
Wafer body	GG 25 GGG 40 GGG 40.3	PN 6/10/16/ANSI 150 PN 10/16/ANSI 150 PN 10/16	PN 10/16/ANSI 150 PN 10/16	PN 10/16	– – –
Lug body	GGG 40 GGG 40.3 GS-C25	PN 10/16/ANSI 150 PN 10/16 PN 10/16/ANSI 150	PN 10/16/ANSI 150 PN 10/16 PN 10/16/ANSI 150	PN 16/MSS-SP44 PN 16 PN 16/MSS-SP44	– – –
Wafer body with centering lugs	GG 25	PN 6/10/16/ANSI 150	–	–	–
Flanged body	GGG 40 GGG 40.3 GS-C25	– – –	– – –	PN 10 PN 10 PN 10	PN 10/16 MSS-SP 44 PN 10/16 PN 10/16

Component	Version	DN / NPS	Material
Betätigung	Position lever Position lever cocktable Square, double D Gear operator pneum. actuator hydr. actuator elekt. actuator	40 – 300 / 1½ – 12 40 – 200 / 1½ – 8 40 – 200 / 1½ – 8 40 – 1200 / 1½ – 48 40 – 1200 / 1½ – 48 40 – 1200 / 1½ – 48 40 – 1200 / 1½ – 48	– – – – – – –
Upper stem		40 – 1200 / 1½ – 48 40 – 1200 / 1½ – 48	Stainless Steel ASTM A 477 Stainless Steel ASTM A 479
Seat		40 – 1200 / 1½ – 48 40 – 500 / 1½ – 20 40 – 1200 / 1½ – 48 40 – 1200 / 1½ – 48 40 – 600 / 1½ – 24 40 – 1200 / 1½ – 48	NBR HNBR EPDM FPM CSM EPDM-H
Disc		200 – 1200 / 8 – 48 40 – 1200 / 1½ – 48 40 – 700 / 1½ – 28 200 – 1200 / 8 – 48 40 – 1200 / 1½ – 48 40 – 600 / 1½ – 24 700 – 1200 / 28 – 48 40 – 150 / 1½ – 6 40 – 1200 / 1½ – 48 40 – 700 / 1½ – 28	DI nickel plated ⁴⁾ Stainless Steel CF8M Aluminium Bronze DI coated ^{1) 4)} DI coated ¹⁾ Hastelloy-C ^{1) 5)} Hastelloy-C22C Stainless Steel polished Duplex 9.4517 ^{1) 2)} Gur lined
Lower stem		40 – 1200 / 1½ – 48 40 – 700 / 1½ – 28	Stainless Steel A 477 Stainless Steel A 479

1) only for max. 10 bar shut off

2) only on request

3) DN 40 / NPS 1½ only wafer body, not in PN 6 and ANSI Cl. 150

4) alternatively in stainless steel

5) or equivalent

XOMOX®

XOMOX International GmbH & Co. @98

Von-Behring-Straße 15

D-88131 Lindau/Bodensee

Tel.: (49) 8382-702-0

Fax. (49) 8382-702-144

www.xomox.com

CRANE®

ChemPharma Flow Solutions

CRANE ChemPharma Flow Solutions Include: Pipe - Valves - Fittings - Actuators - Pumps

DEPA®

ELRO

PSI
LINED PIPING SYSTEMS

RESISTOFLEX®

ResistoPure

revo®

Saunders®
the science inside

XOMOX®