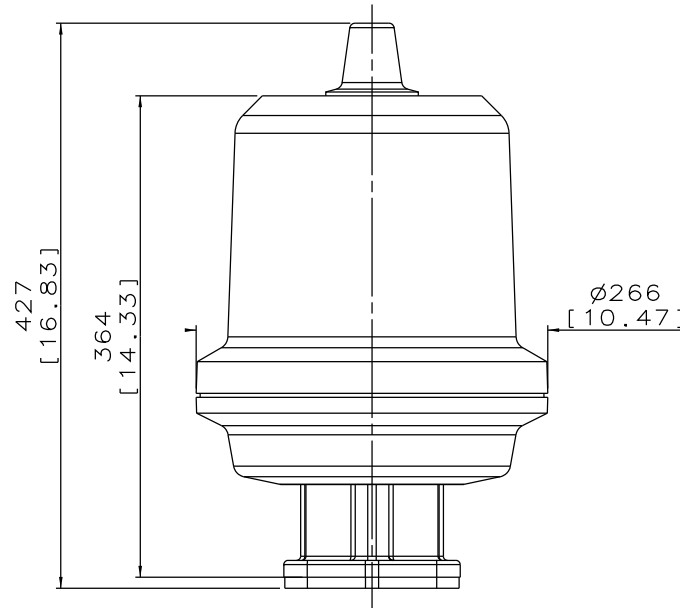
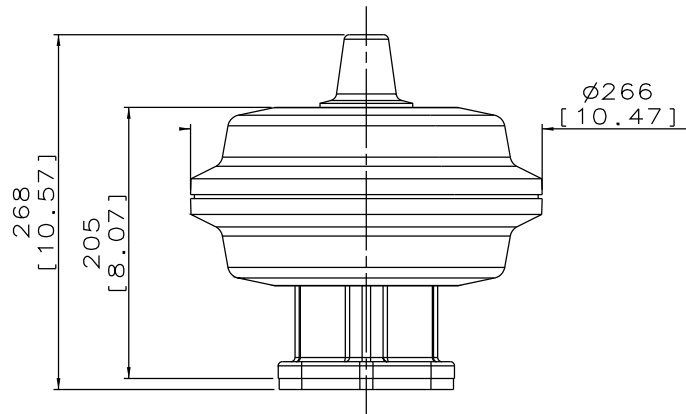


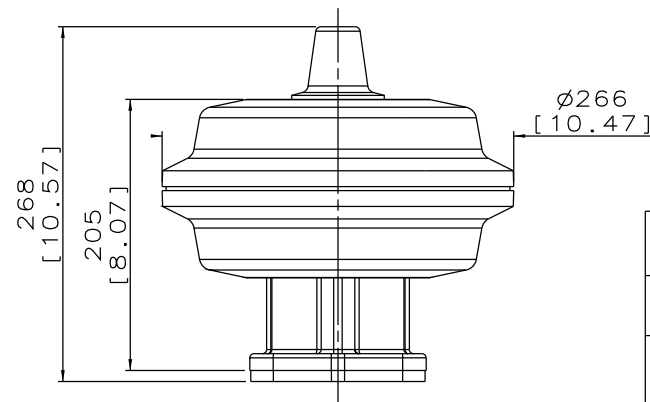
SPRING CLOSING
 SPRING PACK F1 - F5
 WEIGHT (HEAVIEST SPRING) = 29kg



SPRING CLOSING
 SPRING PACK G1 - G5
 WEIGHT (HEAVIEST SPRING) = 35kg



SPRING OPEN
 WEIGHT = 13kg



DOUBLE ACTING
 WEIGHT = 13kg

The information on this sheet is Private and Confidential and is the property of Crane Process Flow Technologies Limited and must not be published directly or indirectly in any manner whatsoever without the written permission of the Company and must not be used in any way detrimental to their interests.
 © Crane Process Flow Technologies

CRANE Process Flow Technologies
 A Crane Co. Company

Saunders
 The Science Inside

Title
 LEADING DIMENSIONS FOR DN65 ECX
 ACTUATOR ALL MODES.

Drawn RND	Date 29.03.12	UNCONTROLLED IN HARD COPY FORMAT	
Checked JRD	Date 29.03.12	UNCONTROLLED IN HARD COPY FORMAT	
First Angle Projection Method E		DO NOT SCALE	Drawing No. WEB-246
			Issue. 1