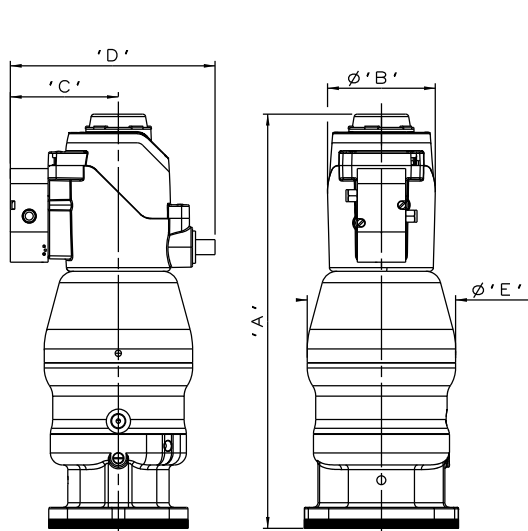
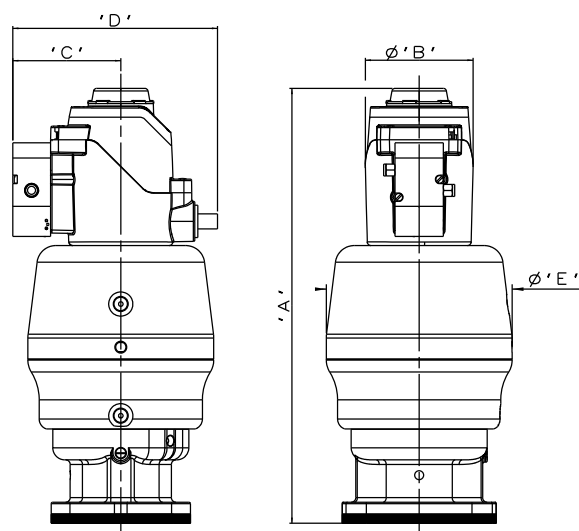


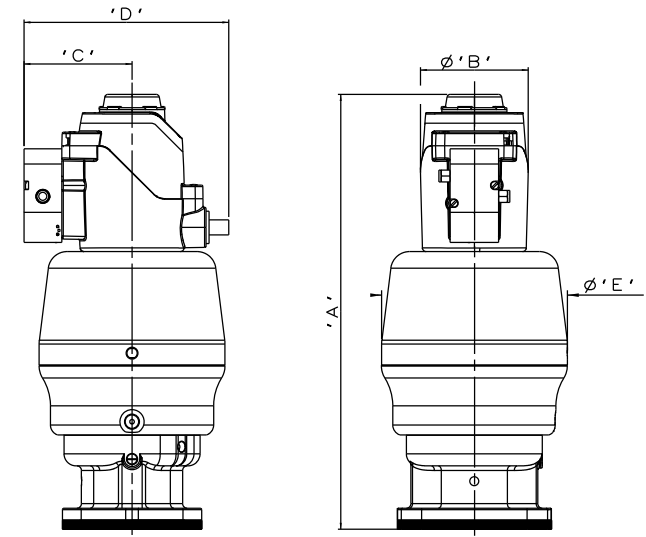
VALVE SIZE	A		B		C		D		E		WEIGHT KGS
	mm	inch	mm	inch	mm	inch	mm	inch	mm	inch	
DN40 SC LITE	275	10.83	71	2.79	71.5	2.81	136	5.35	98	3.86	4.1
DN40 SO	289	11.38	71	2.79	71.5	2.81	136	5.35	123	4.84	6.4
DN40 DA	289	11.38	71	2.79	71.5	2.81	136	5.35	123	4.84	6.3
DN40 SC POWER	289	11.38	71	2.79	71.5	2.81	136	5.35	123	4.84	6.4



DN40 LITE S360  $\phi$ 80 PISTON  
SPRING CLOSING



DN40 S360  $\phi$ 100 PISTON  
SPRING OPENING/DOUBLE ACTING



DN40 POWER S360  $\phi$ 100 PISTON  
SPRING CLOSING

The information on this sheet is Private and Confidential and is the property of Crane Process Flow Technologies Limited and must not be published directly or indirectly in any manner whatsoever without the written permission of the Company and must not be used in any way detrimental to their interests.  
© Crane Process Flow Technologies

**CRANE** Process Flow Technologies  
A Crane Co. Company

**Saunders**  
The Science Inside

Title  
LEADING DIMENSIONS FOR DN40  
 $\phi$ 80/100 PISTON S360 ACTUATORS  
FITTED WITH SAUNDERS IVue SENSOR

Drawn JRD	Date 29.08.12	UNCONTROLLED IN HARD COPY FORMAT	
Checked RND	Date 29.08.12		
First Angle Projection Method E	DO NOT SCALE	Drawing No. WEB-234	Issue. 1