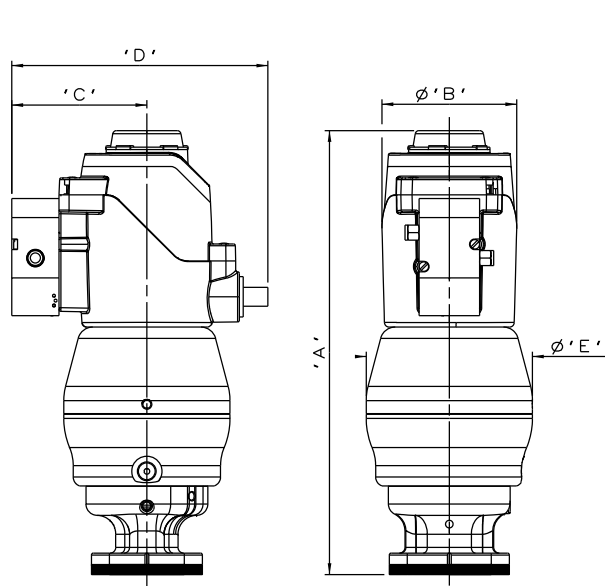
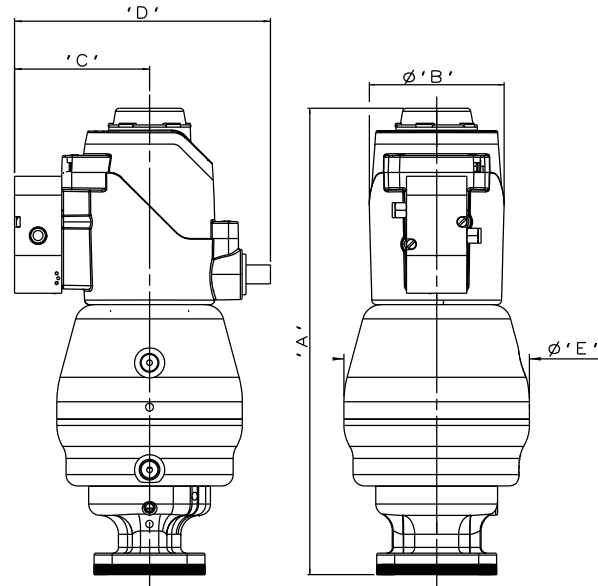


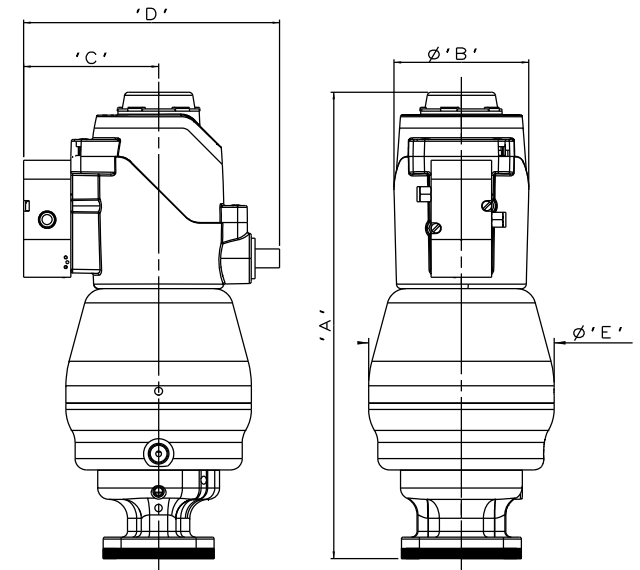
VALVE SIZE	A		B		C		D		E		WEIGHT KGS
	mm	inch	mm	inch	mm	inch	mm	inch	mm	inch	
DN20 SC LITE	235	9.25	71	2.79	71.5	2.81	136	5.35	88	3.46	2.7
DN20 SO	247	9.72	71	2.79	71.5	2.81	136	5.35	98	3.86	3.4
DN20 DA	247	9.72	71	2.79	71.5	2.81	136	5.35	98	3.86	3.2
DN20 SC POWER	247	9.72	71	2.79	71.5	2.81	136	5.35	98	3.85	3.4



DN20 LITE S360  $\phi$ 70 PISTON  
SPRING CLOSING



DN20 S360  $\phi$ 80 PISTON  
SPRING OPENING/DOUBLE ACTING



DN20 POWER S360  $\phi$ 80 PISTON  
SPRING CLOSING

The information on this sheet is Private and Confidential and is the property of Crane Process Flow Technologies Limited and must not be published directly or indirectly in any manner whatsoever without the written permission of the Company and must not be used in any way detrimental to their interests.  
© Crane Process Flow Technologies

**CRANE** Process Flow Technologies  
A Crane Co. Company

**Saunders**  
The Science Inside

Title  
LEADING DIMENSIONS FOR DN20  
 $\phi$ 70/80 PISTON S360 ACTUATORS  
FITTED WITH SAUNDERS IVUE SENSOR

Drawn JRD	Date 29.08.12	UNCONTROLLED IN HARD COPY FORMAT
Checked RND	Date 29.08.12	

First Angle Projection Method E		DO NOT SCALE	Drawing No. WEB-232	Issue. 1
---------------------------------------	--	--------------------	------------------------	-------------