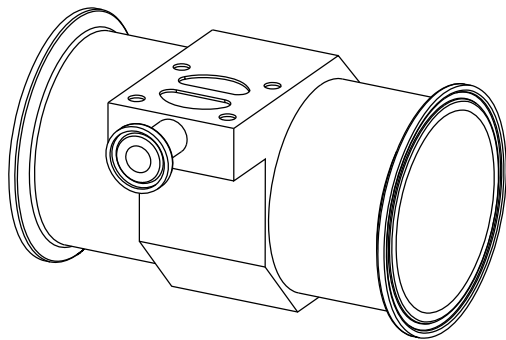
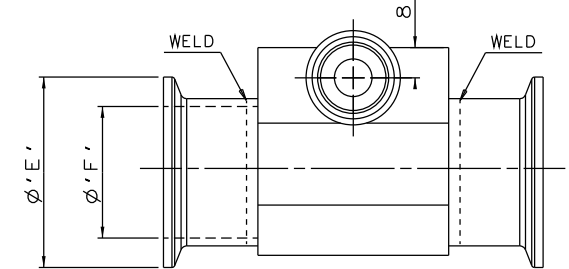
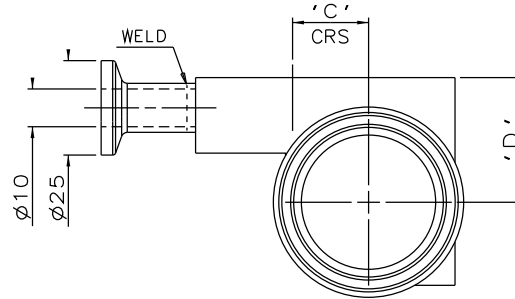
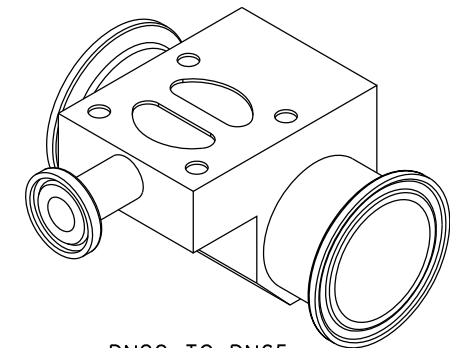
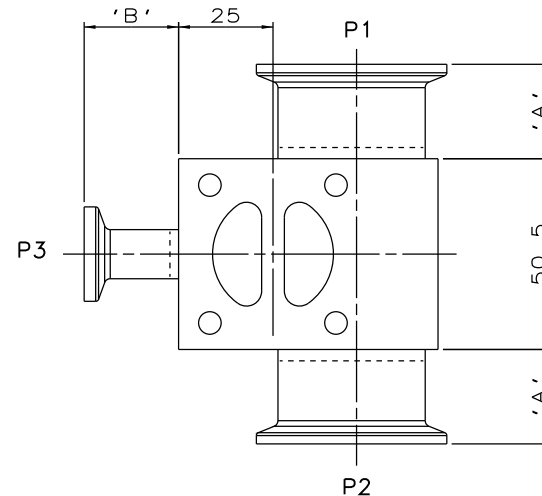


DN15 MAINLINE ONLY

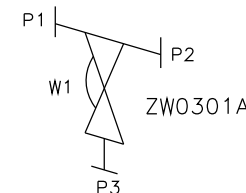


DN80 TO DN100  
MAINLINE ONLY



DN20 TO DN65  
MAINLINE ONLY

| MAINLINE SIZE<br>mm | A<br>mm | B<br>mm | C<br>mm | D<br>mm | ØE<br>mm | ØF<br>mm | BODY WEIGHT<br>Kgs |
|---------------------|---------|---------|---------|---------|----------|----------|--------------------|
| DN15                | 25.0    | 25.0    | 8.0     | 18.0    | 25.0     | 10.0     | 0.5                |
| DN20                | 25.0    | 25.0    | 11.0    | 22.0    | 25.0     | 16.0     | 0.5                |
| DN25                | 25.0    | 25.0    | 14.6    | 26.5    | 50.4     | 22.6     | 0.6                |
| DN40                | 25.0    | 25.0    | 20.8    | 33.0    | 50.4     | 35.6     | 0.8                |
| DN50                | 25.0    | 25.0    | 27.3    | 38.0    | 63.9     | 48.6     | 1.1                |
| DN65                | 50.0    | 25.0    | 33.2    | 41.0    | 77.4     | 60.3     | 1.4                |
| DN80                | 50.0    | 25.0    | 39.5    | 45.0    | 90.9     | 72.9     | 1.4                |
| DN100               | 50.0    | 25.0    | 51.8    | 55.0    | 118.9    | 97.6     | 2.3                |



ORIENTATION AS  
PER P&ID DIAGRAM  
FOR OPTIMUM  
DRAINABILITY.

The information on this sheet is Private and Confidential and is the property of Crane Process Flow Technologies Limited and must not be published directly or indirectly in any manner whatsoever without the written permission of the Company and must not be used in any way detrimental to their interests.  
© Crane Process Flow Technologies

**CRANE** Process Flow Technologies  
A Crane Co. Company

**Saunders**  
The Science Inside

Title  
SCHEDULE OF LEADING DIMENSIONS FOR DN15  
WEIR 'T' BODY COMPLETE WITH :  
MAINLINE : HYGIENIC CLAMP ENDS WITH SMS 3008 BORE  
BRANCH : DN15 HYGIENIC CLAMP END WITH SMS 3008 BORE

|                                       |                    |                                     |
|---------------------------------------|--------------------|-------------------------------------|
| Drawn JRD                             | Date 23.02.12      | UNCONTROLLED IN<br>HARD COPY FORMAT |
| Checked RND                           | Date 23.02.12      |                                     |
| First Angle<br>Projection<br>Method E | DO<br>NOT<br>SCALE | Drawing No.<br>WEB-152              |
|                                       |                    | Issue.<br>1                         |