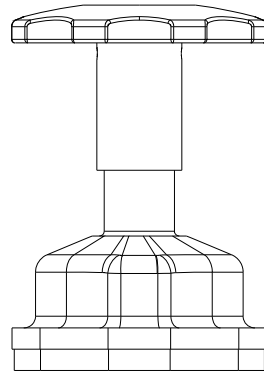
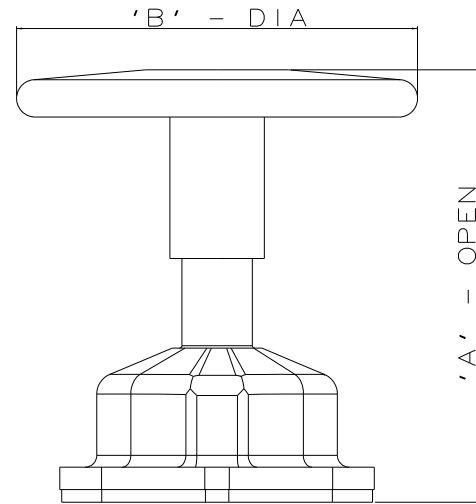


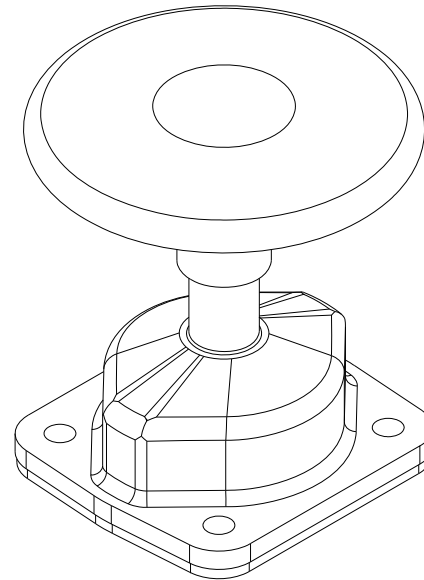
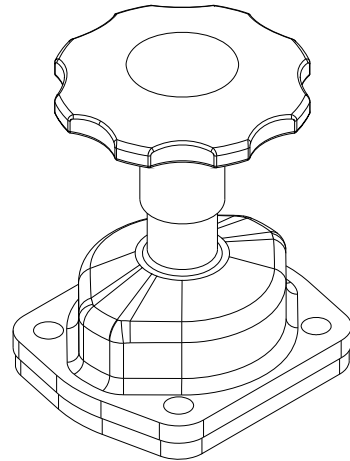
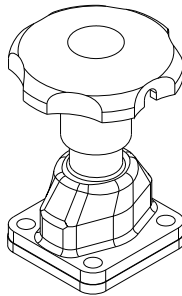
DN15 - DN20



DN25 - DN50



DN65 - DN80



VALVE SIZE	A		B		WEIGHT KGS
	mm	inch	mm	inch	
DN15	88	3.46	62	2.44	0.9
DN20	89	3.50	62	2.44	1.1
DN25	103	4.06	80	3.15	1.3
DN40	133	5.24	100	3.94	1.9
DN50	152	5.98	112	4.41	3.5
DN65	186	7.32	170	6.69	6.2
DN80	203	7.99	220	8.66	8.4

The information on this sheet is Private and Confidential and is the property of Crane Process Flow Technologies Limited and must not be published directly or indirectly in any manner whatsoever without the written permission of the Company and must not be used in any way detrimental to their interests.
© Crane Process Flow Technologies

CRANE Process Flow Technologies
A Crane Co. Company

Saunders
The Science Inside

Title
LEADING DIMENSIONS FOR STAINLESS
STEEL SEALED BONNET ASSEMBLY.
CODE : RUBBER - H46 PTFE - H47
SIZES DN15 - DN80

Drawn NAW	Date 28.02.12	UNCONTROLLED IN HARD COPY FORMAT
Checked JRD	Date 28.02.12	

First Angle Projection Method E		DO NOT SCALE	Drawing No. WEB-139	Issue. 1
---------------------------------------	--	--------------------	------------------------	-------------