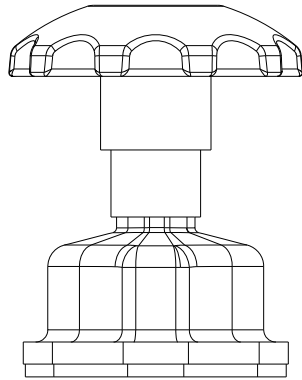
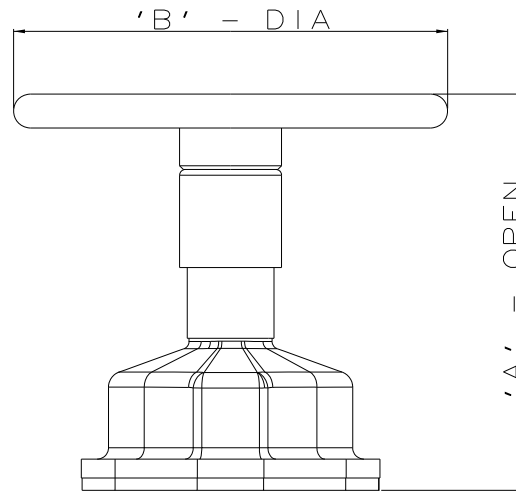


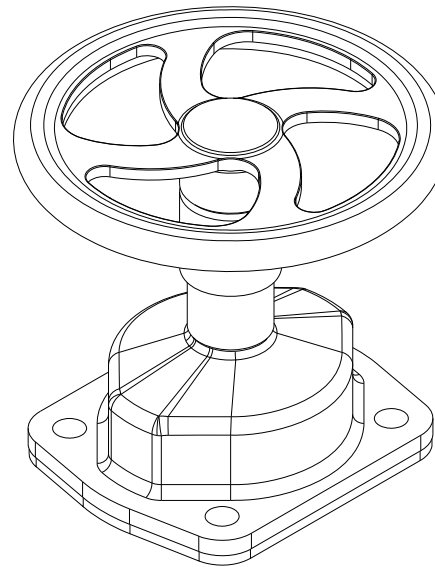
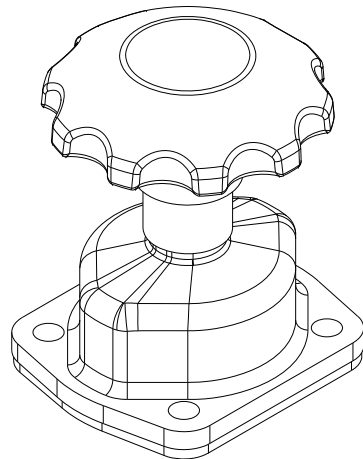
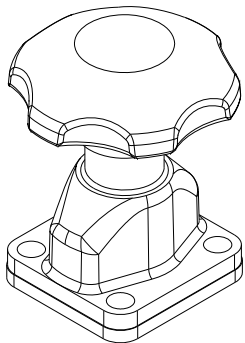
DN15 & DN20 ONLY



DN25 - DN50 ONLY



DN65 & DN80 ONLY



VALVE SIZE	A		B		WEIGHT KGS
	mm	inch	mm	inch	
DN15	75	2.95	62	2.44	0.7
DN20	75	2.95	62	2.44	0.8
DN25	94	3.70	80	3.15	0.9
DN40	136	5.35	120	4.72	1.4
DN50	152	5.98	120	4.72	2.1
DN65	193	7.60	170	6.69	5.5
DN80	211	8.31	230	9.06	7.9

The information on this sheet is Private and Confidential and is the property of Crane Process Flow Technologies Limited and must not be published directly or indirectly in any manner whatsoever without the written permission of the Company and must not be used in any way detrimental to their interests.
© Crane Process Flow Technologies

CRANE Process Flow Technologies
A Crane Co. Company

Saunders
The Science Inside

Title
LEADING DIMENSIONS FOR STAINLESS STEEL
NON-SEALED BONNET ASSEMBLY
CODE : RUBBER - H26 PTFE - H27 (DN15-50)
RUBBER - H35 PTFE - H36 (DN65-80)
SIZES DN15 - DN80

Drawn NAW	Date 23.02.12	UNCONTROLLED IN HARD COPY FORMAT	
Checked JRD	Date 23.02.12		
First Angle Projection Method E		DO NOT SCALE	Drawing No. WEB-130
			Issue. 1