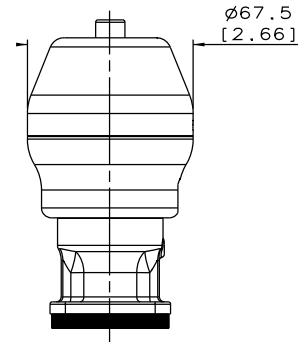
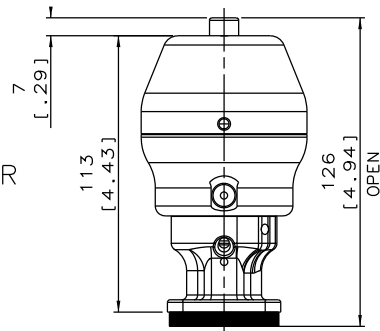
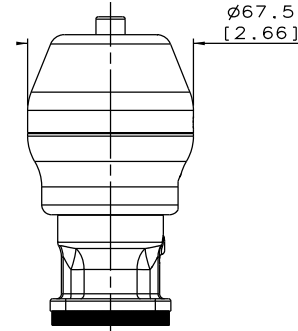
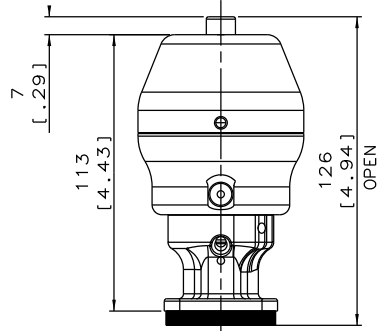


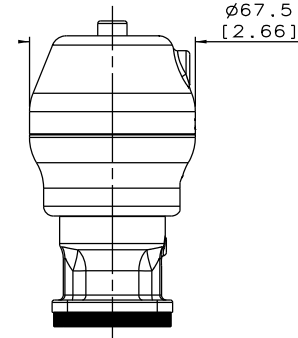
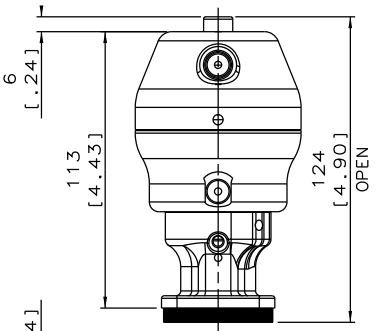
SPRING CLOSING POWER



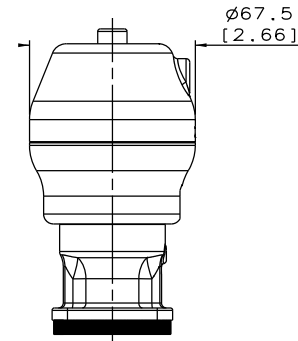
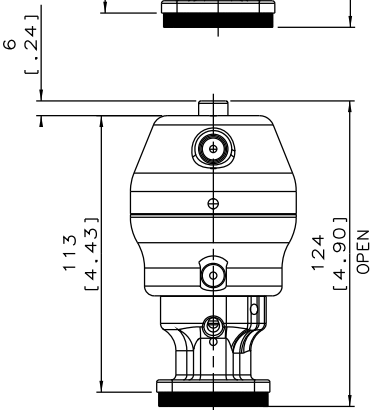
SPRING CLOSING LITE



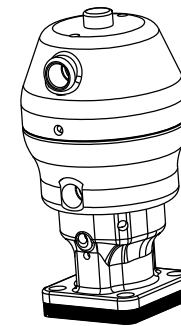
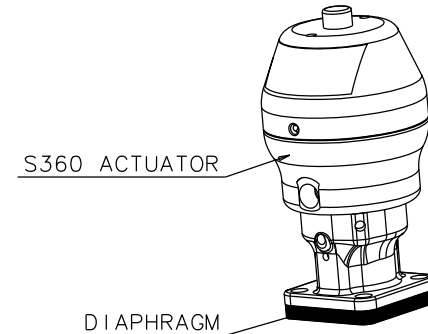
SPRING OPENING



DOUBLE ACTING



VALVE SIZE	WEIGHT KGS
DN15 SC	1.2
DN15 SO	1.3
DN15 DA	1.0



The information on this sheet is Private and Confidential and is the property of Crane Process Flow Technologies Limited and must not be published directly or indirectly in any manner whatsoever without the written permission of the Company and must not be used in any way detrimental to their interests.
 © Crane Process Flow Technologies

CRANE Process Flow Technologies
 A Crane Co. Company

Saunders
 The Science Inside

Title
 LEADING DIMENSIONS FOR
 DN15 S360 ACTUATORS

Drawn JRD	Date 15.11.12	UNCONTROLLED IN HARD COPY FORMAT
Checked RND	Date 15.11.12	
First Angle Projection Method E	DO NOT SCALE	Drawing No. WEB-116
		Issue. 1