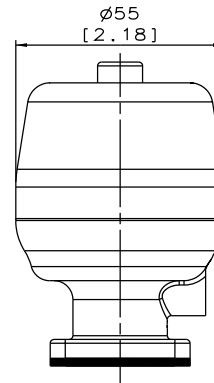
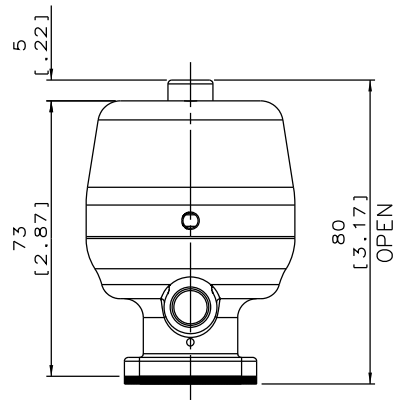
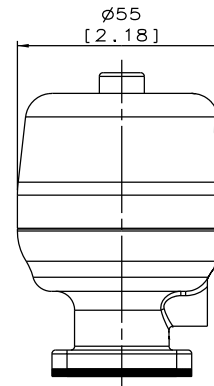
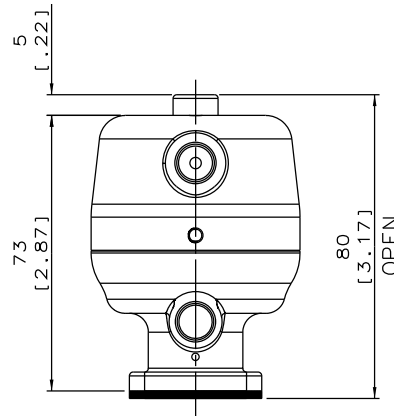


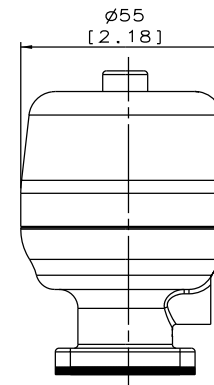
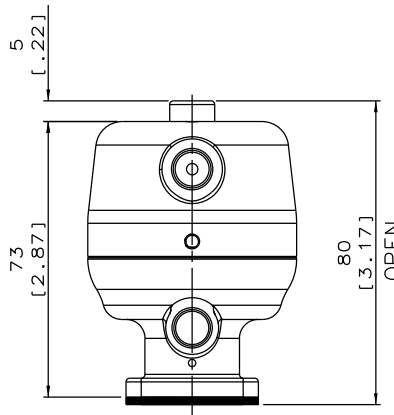
SPRING CLOSING LITE



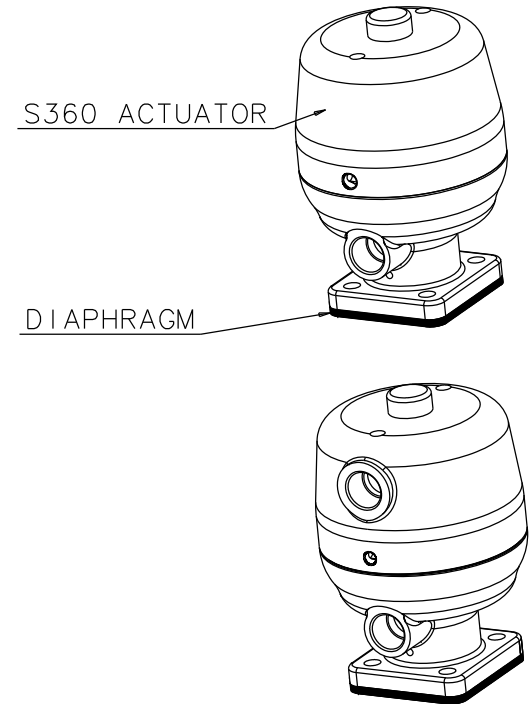
SPRING OPENING



DOUBLE ACTING



VALVE SIZE	WEIGHT KGS
DN8 SC LITE	0.6
DN8 SO	0.6
DN8 DA	0.5



The information on this sheet is Private and Confidential and is the property of Crane Process Flow Technologies Limited and must not be published directly or indirectly in any manner whatsoever without the written permission of the Company and must not be used in any way detrimental to their interests.  
 © Crane Process Flow Technologies

**CRANE** Process Flow Technologies  
 A Crane Co. Company

**Saunders**  
 The Science Inside

Title  
 LEADING DIMENSIONS FOR  
 DN8 S360 ACTUATORS

Drawn JRD	Date 15.11.12	UNCONTROLLED IN HARD COPY FORMAT
Checked RND	Date 15.11.12	
First Angle Projection Method E	DO NOT SCALE	Drawing No. WEB-115
		Issue. 1