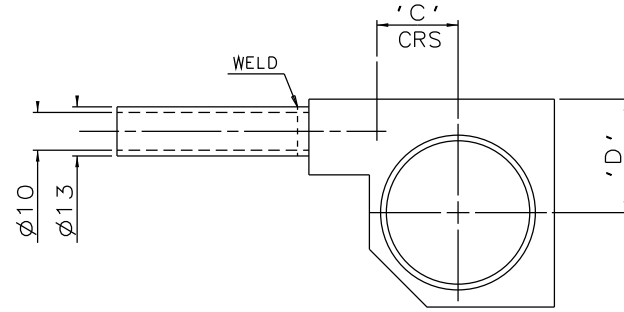
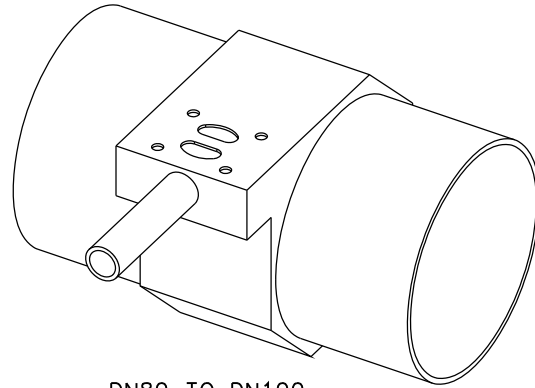
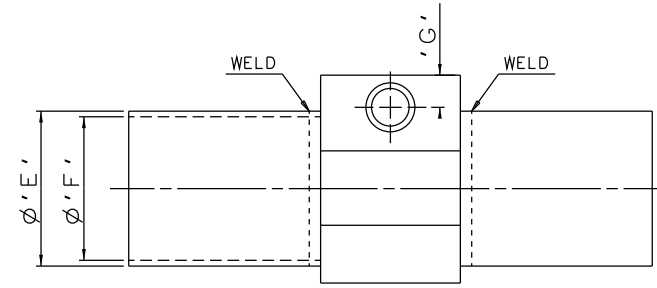


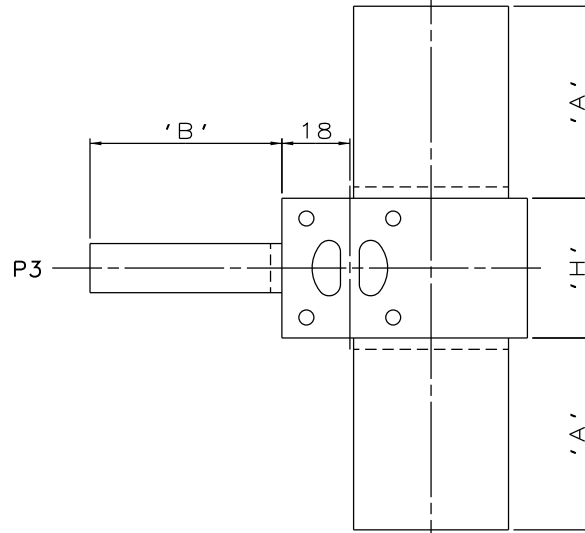
DN10 MAINLINE ONLY



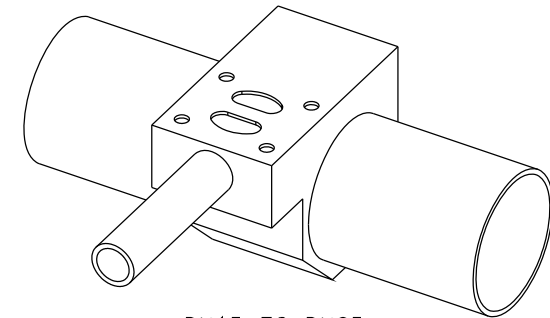
P1



DN80 TO DN100
MAINLINE ONLY

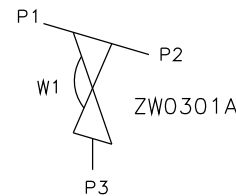


P2



DN15 TO DN65
MAINLINE ONLY

MAINLINE SIZE mm	A mm	B mm	C mm	D mm	øE mm	øF mm	G mm	H mm	BODY WEIGHT
									Kgs
DN10 DIN 11850 S2	50.8	50.8	7.5	17.0	13.0	10.0	8.5	37.0	0.3
DN15 DIN 11850 S2	50.8	50.8	10.5	21.0	19.0	16.0	8.5	37.0	0.3
DN20 DIN 11850 S2	50.8	50.8	12.5	23.0	23.0	20.0	8.5	37.0	0.4
DN25 DIN 11850 S2	50.8	50.8	15.5	26.0	29.0	26.0	8.5	37.0	0.5
DN32 DIN 11850 S2	50.8	50.8	18.5	28.0	35.0	32.0	8.5	37.0	0.5
DN40 DIN 11850 S2	50.8	50.8	21.5	30.0	41.0	38.0	8.5	37.0	0.7
DN50 DIN 11850 S2	50.8	50.8	27.5	33.0	53.0	50.0	8.5	37.0	0.8
DN65 DIN 11850 S1	50.8	50.8	35.5	38.0	70.0	66.0	8.5	37.0	1.0
DN80 DIN 11850 S1	50.8	50.8	43.0	46.5	85.0	81.0	8.5	50.5	1.2
DN100 DIN 11850 S1	101.6	50.8	52.5	55.0	104.0	100.0	8.5	50.5	2.2



ORIENTATION AS
PER P&ID DIAGRAM
FOR OPTIMUM
DRAINABILITY.

The information on this sheet is Private and Confidential and is the property of Crane Process Flow Technologies Limited and must not be published directly or indirectly in any manner whatsoever without the written permission of the Company and must not be used in any way detrimental to their interests.
© Crane Process Flow Technologies

CRANE Process Flow Technologies
A Crane Co. Company

Saunders
The Science Inside

Title
SCHEDULE OF LEADING DIMENSIONS FOR DN8
WEIR 'T', BODY COMPLETE WITH :
MAINLINE : DIN 11850 S2/S1 BUTT WELD ENDS
BRANCH : DN10 DIN 11850 S2 BUTT WELD END

Drawn R1 Date 11.11.11
Checked RND Date 21.03.12
First Angle Projection Method E
DO NOT SCALE

UNCONTROLLED IN
HARD COPY FORMAT
Drawing No. WEB-097
Issue. 2