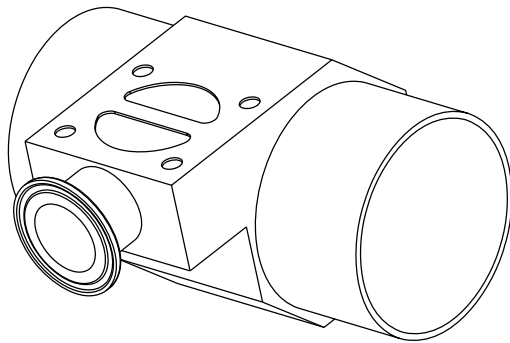
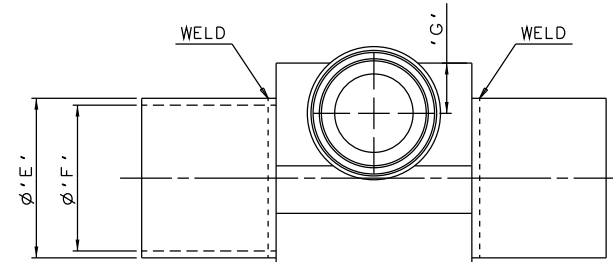
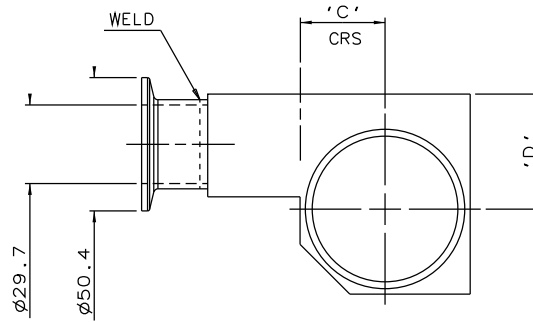
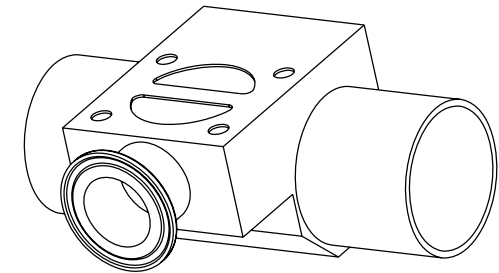
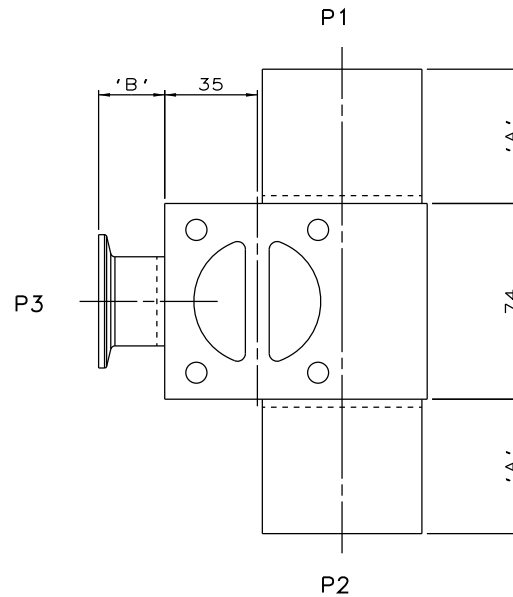


DN25 MAINLINE ONLY



DN65 TO DN100  
MAINLINE ONLY



DN40 TO DN50  
MAINLINE ONLY

The information on this sheet is Private and Confidential and is the property of Crane Process Flow Technologies Limited and must not be published directly or indirectly in any manner whatsoever without the written permission of the Company and must not be used in any way detrimental to their interests.  
© Crane Process Flow Technologies

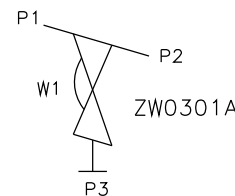
**CRANE** Process Flow Technologies  
A Crane Co. Company

**Saunders**  
The Science Inside

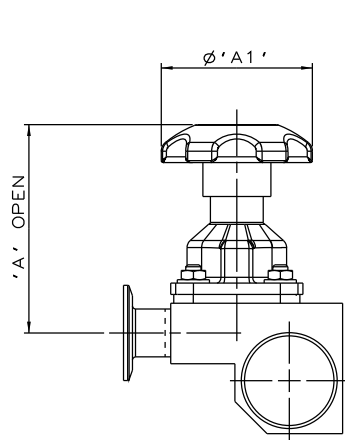
Title  
SCHEDULE OF LEADING DIMENSIONS FOR DN25  
WEIR 'T' BODY COMPLETE WITH :  
MAINLINE : ISO 1127 S1 BUTT WELD ENDS  
BRANCH : DN25 HYGIENIC CLAMP END WITH ISO 1127 S1 BORE

|                                       |                    |                                     |             |
|---------------------------------------|--------------------|-------------------------------------|-------------|
| Drawn JRD                             | Date 14.10.11      | UNCONTROLLED IN<br>HARD COPY FORMAT |             |
| Checked RND                           | Date 07.11.13      |                                     |             |
| First Angle<br>Projection<br>Method E | DO<br>NOT<br>SCALE | Drawing No.<br>WEB-085              | Issue.<br>3 |

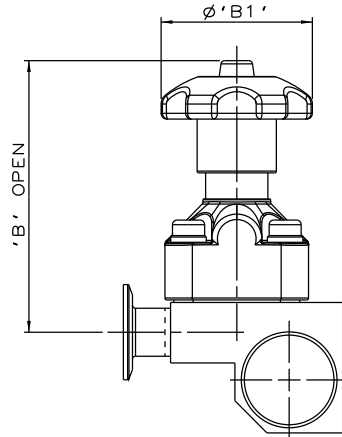
| MAINLINE SIZE | A     | B    | C    | D    | $\phi E$ | $\phi F$ | G    | BODY WEIGHT |
|---------------|-------|------|------|------|----------|----------|------|-------------|
| mm            | mm    | mm   | mm   | mm   | mm       | mm       | mm   | Kgs         |
| DN25          | 50.8  | 25.0 | 18.9 | 32.0 | 33.7     | 29.7     | 18.9 | 1.7         |
| DN32          | 50.8  | 25.0 | 23.2 | 38.0 | 42.4     | 38.4     | 19.0 | 1.9         |
| DN40          | 50.8  | 25.0 | 26.2 | 38.0 | 48.3     | 44.3     | 19.0 | 1.9         |
| DN50          | 50.8  | 25.0 | 32.1 | 43.5 | 60.3     | 55.1     | 19.0 | 2.3         |
| DN65          | 50.8  | 25.0 | 39.5 | 49.0 | 76.1     | 70.9     | 18.9 | 2.3         |
| DN80          | 50.8  | 25.0 | 45.9 | 53.0 | 88.9     | 83.7     | 18.9 | 2.7         |
| DN100         | 101.6 | 25.0 | 58.6 | 60.2 | 114.3    | 109.1    | 18.9 | 3.8         |



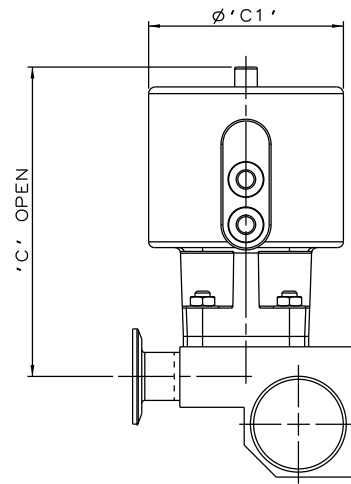
ORIENTATION AS PER  
P&ID DIAGRAM FOR  
OPTIMUM DRAINABILITY.



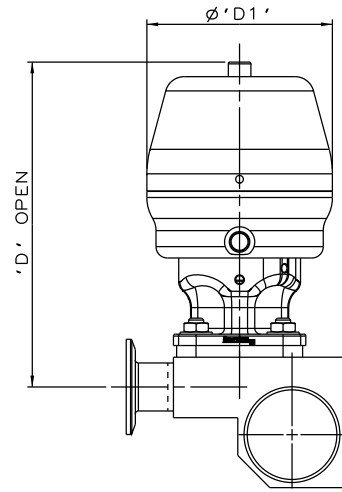
SS NON SEALED  
BONNET ASSEMBLY



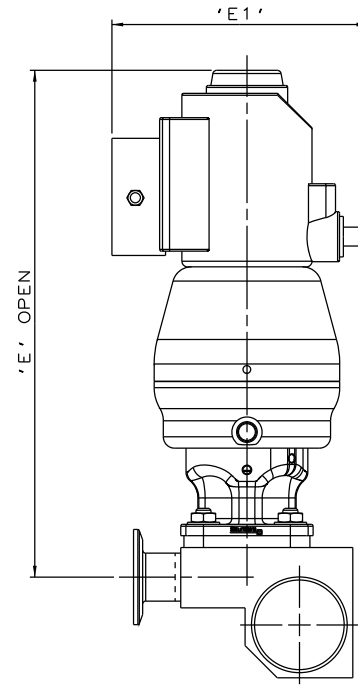
PES BONNET  
ASSEMBLY



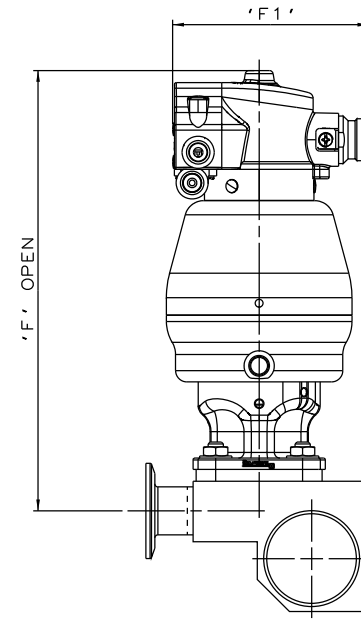
EC ACTUATOR  
(ALL MODES)



\*S360 ACTUATOR



\*S360 ACTUATOR  
WITH I-VUE SENSOR



\*S360 ACTUATOR  
WITH M-VUE SENSOR

The information on this sheet is Private and Confidential and is the property of Crane Process Flow Technologies Limited and must not be published directly or indirectly in any manner whatsoever without the written permission of the Company and must not be used in any way detrimental to their interests.  
© Crane Process Flow Technologies

**CRANE** Process Flow Technologies  
A Crane Co. Company

**Saunders**  
The Science Inside

Title  
SCHEDULE OF LEADING DIMENSIONS FOR DN25/1.00  
WEIR 'T' BODY WITH MAINLINE BUTT WELD ISO 1127 S1  
ENDS, BRANCH HYGIENIC CLAMP END WITH ISO 1127 S1 BORE.  
FITTED WITH TOPWORKS OPTIONS

|         |     |      |          |                                     |
|---------|-----|------|----------|-------------------------------------|
| Drawn   | RI  | Date | 09.05.17 | UNCONTROLLED IN<br>HARD COPY FORMAT |
| Checked | RND | Date | 09.05.17 |                                     |

|                                       |  |                    |                             |             |
|---------------------------------------|--|--------------------|-----------------------------|-------------|
| First Angle<br>Projection<br>Method E |  | DO<br>NOT<br>SCALE | Drawing No.<br>WEB-085-ASSY | Issue.<br>1 |
|---------------------------------------|--|--------------------|-----------------------------|-------------|

\*DIMENSIONS SHOW MAXIMUM ENVELOPE FOR ALL MODES

| BRANCH SIZE |      | A     |      | A1   |      | B     |      | B1   |      | C     |      | C1    |      | D     |      | D1   |      | E     |       | E1    |      | F     |      | F1    |      |
|-------------|------|-------|------|------|------|-------|------|------|------|-------|------|-------|------|-------|------|------|------|-------|-------|-------|------|-------|------|-------|------|
| mm          | inch | mm    | inch | mm   | inch | mm    | inch | mm   | inch | mm    | inch | mm    | inch | mm    | inch | mm   | inch | mm    | inch  | mm    | inch | mm    | inch | mm    | inch |
| DN25        | 1.00 | 113.0 | 4.45 | 80.0 | 3.15 | 147.0 | 5.79 | 80.0 | 3.15 | 167.0 | 6.57 | 103.0 | 4.05 | 175.0 | 6.89 | 98.0 | 3.87 | 272.0 | 10.71 | 136.0 | 5.35 | 236.0 | 9.29 | 103.8 | 4.09 |