



KROMBACH
ARMATUREN

brands you trust.



KROMBACH® Check Valves

CRANE

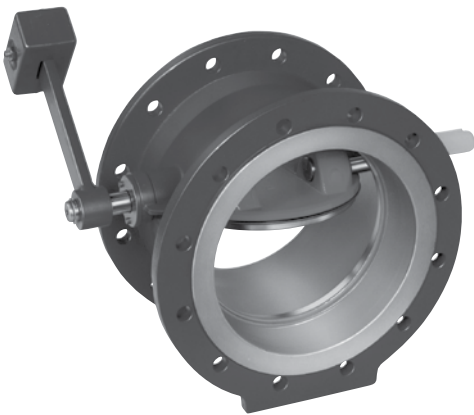
Energy Flow Solutions

www.craneenergy.com

Check Valves Key Features

TURK Steam Extraction Check Valves (RK 500) Key Features

- 1 Free swing disc design for minimal pressure drop and wear
- 2 Gravity, lever and weight, or pneumatic actuation packages available
- 3 Additional options available, including special end connections, reduced seat diameter, and special materials



Tilting Disc Check Valves (RK 510) Key Features

- 1 Double eccentric design with replaceable disc-mounted sealing element
- 2 Lever and counterweight operation available to minimize pressure drop
- 3 Special design options such as hydraulic dampers or combined butterfly/check valve configurations

TURK Extraction Check Valve Overview and Applications



Overview

Size:	3" - 36" (DN80 - DN900)
Class:	ASME 150 - 600 (PN 16, 25, 40, 63, 100)
Temperature:	-4°F up to + 1022°F (-20°C up to 550°C)
Materials:	Cast Carbon Steel A216-WCB Cast Stainless Steel CF8M Welded Carbon Steel and Stainless Steel and other materials available

Applications

Power – sub-, super-, and ultra super-critical coal plants, gas-fired plants, combined cycle plants, nuclear plants, geothermal plants, and solar plants

Chemical – petrochemicals, fertilizers, pesticides, and peripheral circulations for storage and transport

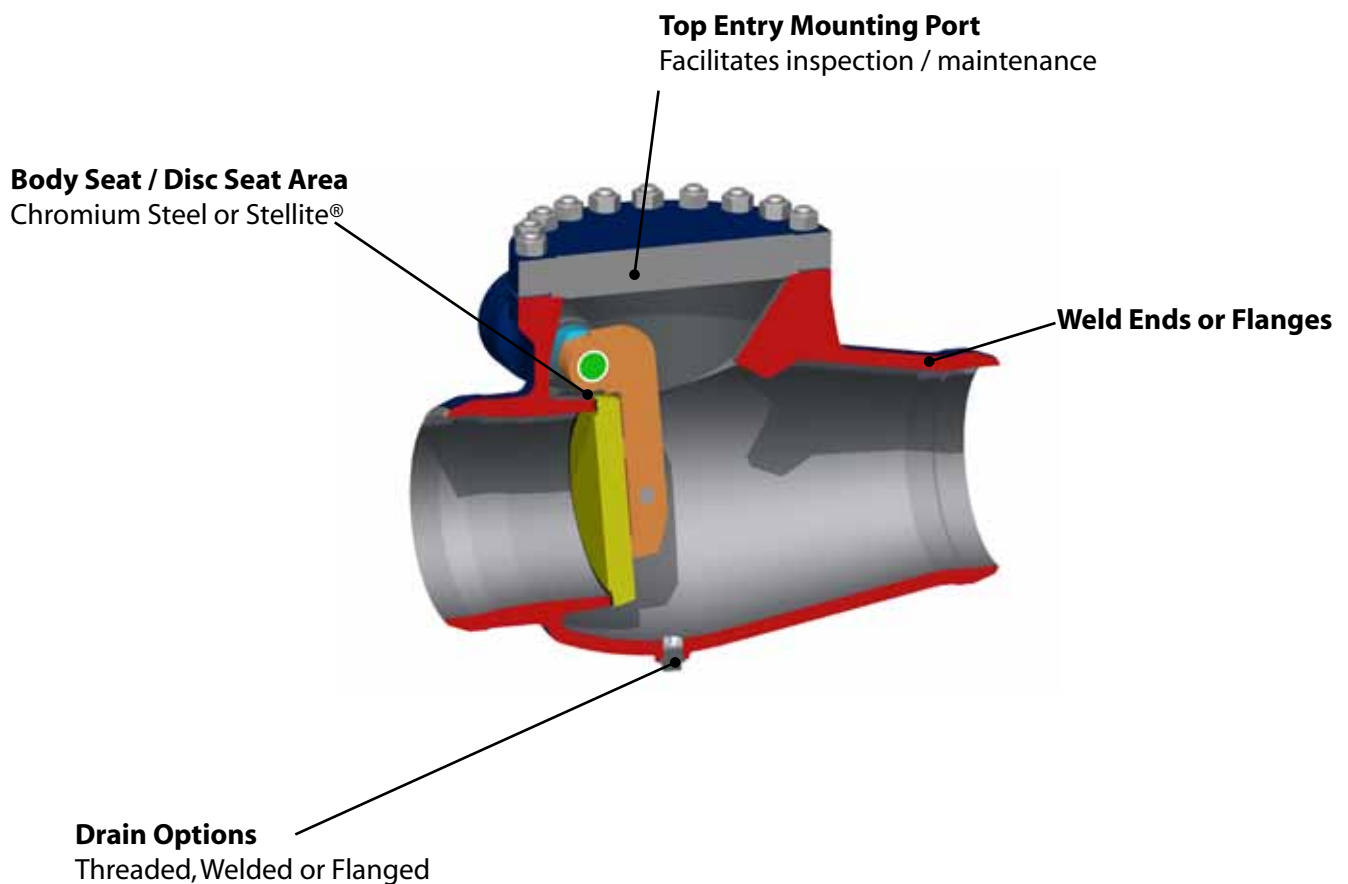
Crude Oil and Natural Gas – offshore/onshore fields, processing, storage, transport and distribution, fuel production and petrochemical industry

Water and Environmental Technology – water reservoirs, waste water, and desalination

TURK Extraction Check Valve Design Features

Design Features

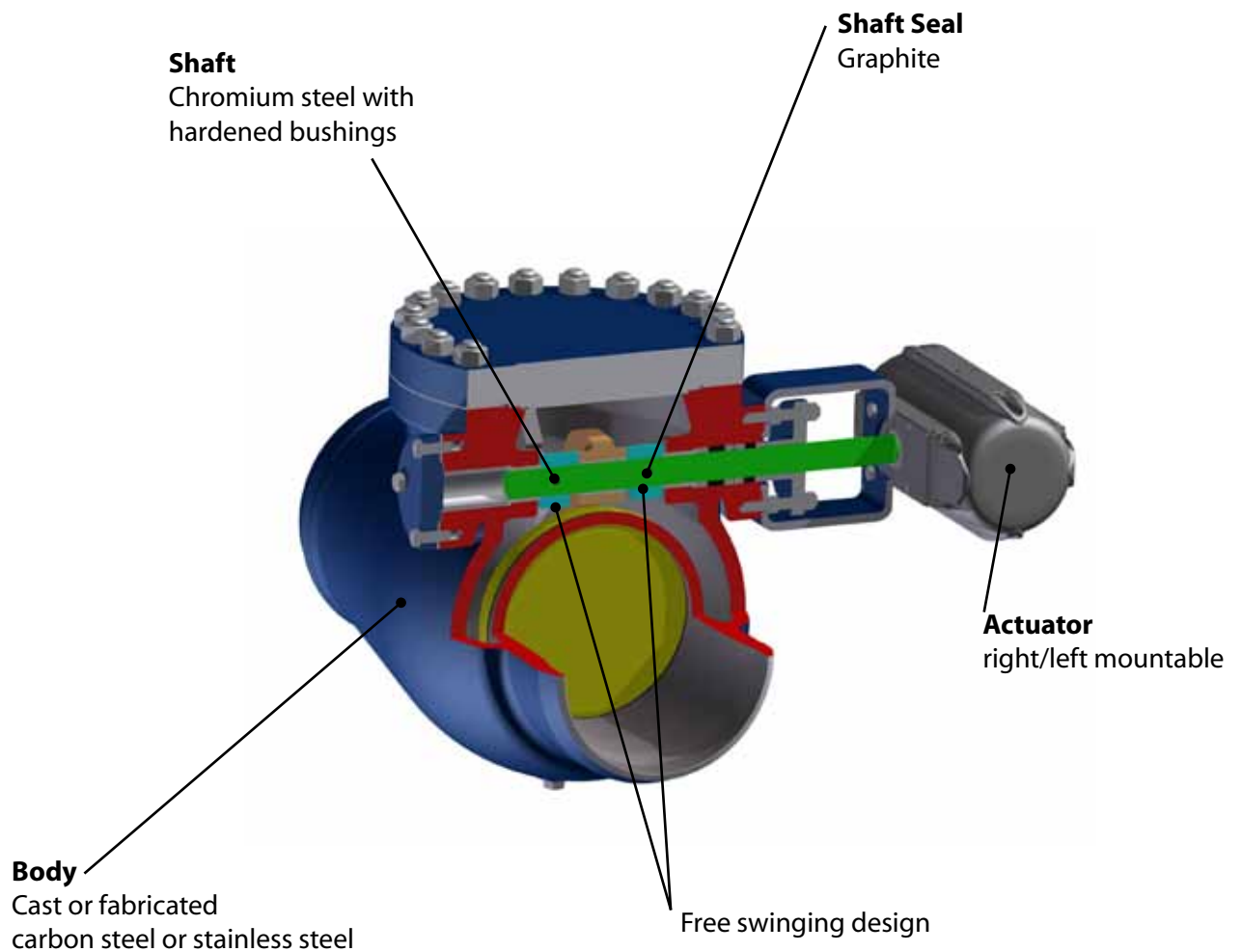
- Swing disc designs
- Pneumatic or gravity operation
- Lever and weight options
- Special actuations packages available
- Welded or double flanged ends
- ANSI B16.10 or DIN EN 558-1 face-to-face dimensions
- Special or adapted designs as per customer specifications



Stellite[®] is a registered trademark of Deloro Stellite.

TURK Extraction Check Valve Technical Characteristics

Seat:	Chromium Steel (standard), Stellite® 21 (optional)
Packing:	Pure graphite, live-loaded
Actuation:	Pneumatic or Hydraulic packages available
Body:	Cast or Fabricated designs



TURK Extraction Check Valve **Additional Options**

Options

Connection For Sealing Water

Water Discharge Connection

Differential Pressure Indicator

Customized Face-to-Face Dimensions

- Greater piping design flexibility
- Can replace competitors' valve without piping modifications

Special Flanges

Accommodates special customer requirements

Body with Conical Extension/Reductions

Allows matching to existing piping sizes/schedules

Special Materials

To meet customer requirements

Flush Ports

For ease of maintenance

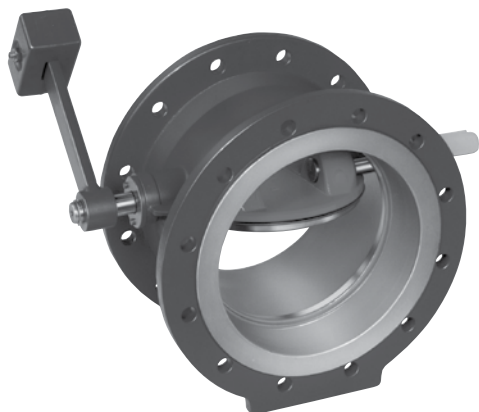
Earthquake Safety Design

Meets special safety requirements where needed

Special Approvals

ASME, PED, GOST-R, and others; complies with multiple International standards for EPCs/OEMs

Tilting Disc Check RK 510 Overview and Applications



Overview

Size:	6" - 72" (DN150 - DN1800)
Class:	ASME 150 - 300 (PN 6, 10, 16, 25)
Temperature:	158°F (+70° C) standard
Maximum Pressure:	580.2 psi (40 bar)
Body Types:	Double Flange and Buttweld
Standard Materials:	Carbon Steel, Stainless Steel and other materials available

Applications

Power – super-critical and ultra super-critical coal plants, gas-fired plants, combined cycle plants, nuclear plants, geothermal plants, and solar plants

Water and Environmental Technology – water reservoirs, waste water, and desalination

Crude Oil and Natural Gas – offshore/onshore fields, processing, storage, transport and distribution, fuel production and petrochemical industry

Chemical – petrochemicals, fertilizers, pesticides, and peripheral circulations for storage and transport

Tilting Disc Check RK 510 Design Features

Design Features

- Tilting disc design
- Double flange face-face according to EN 558, Series 14 and ANSI B16.10
- Welded Ends available
- Soft sealing element carried by the disc
- Temperature +70°C (158°F) standard

Actuation

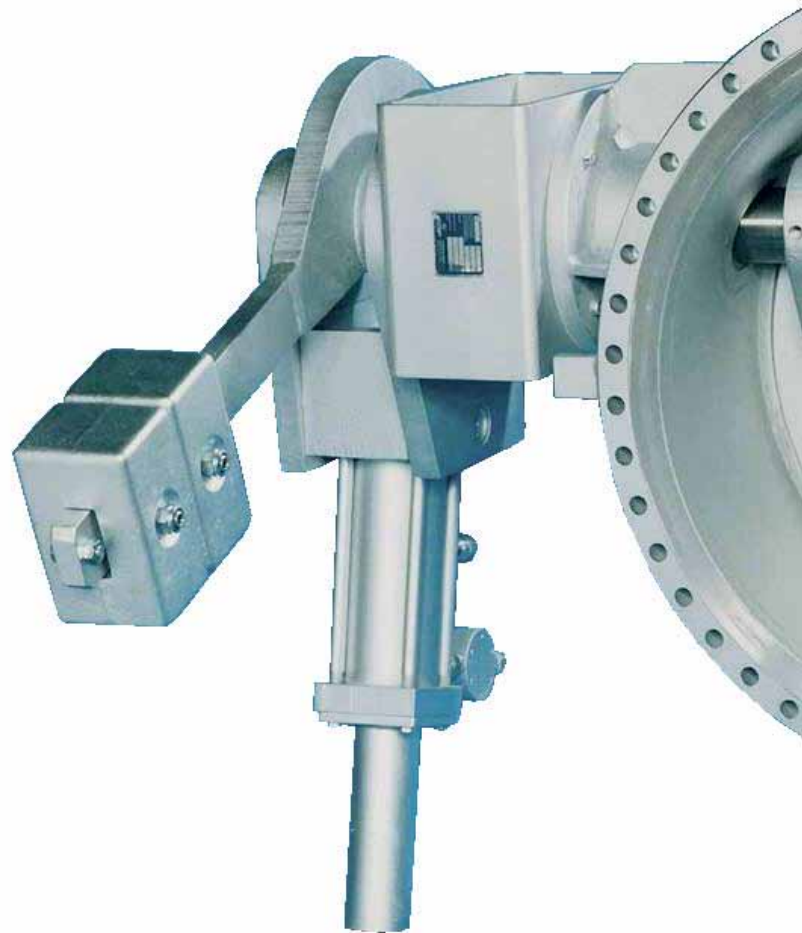
Counter Weight and Hydraulic Oil Brake (shown); other packages available on request.

Shaft Sealing Detail

O-rings give shaft seal extended life.

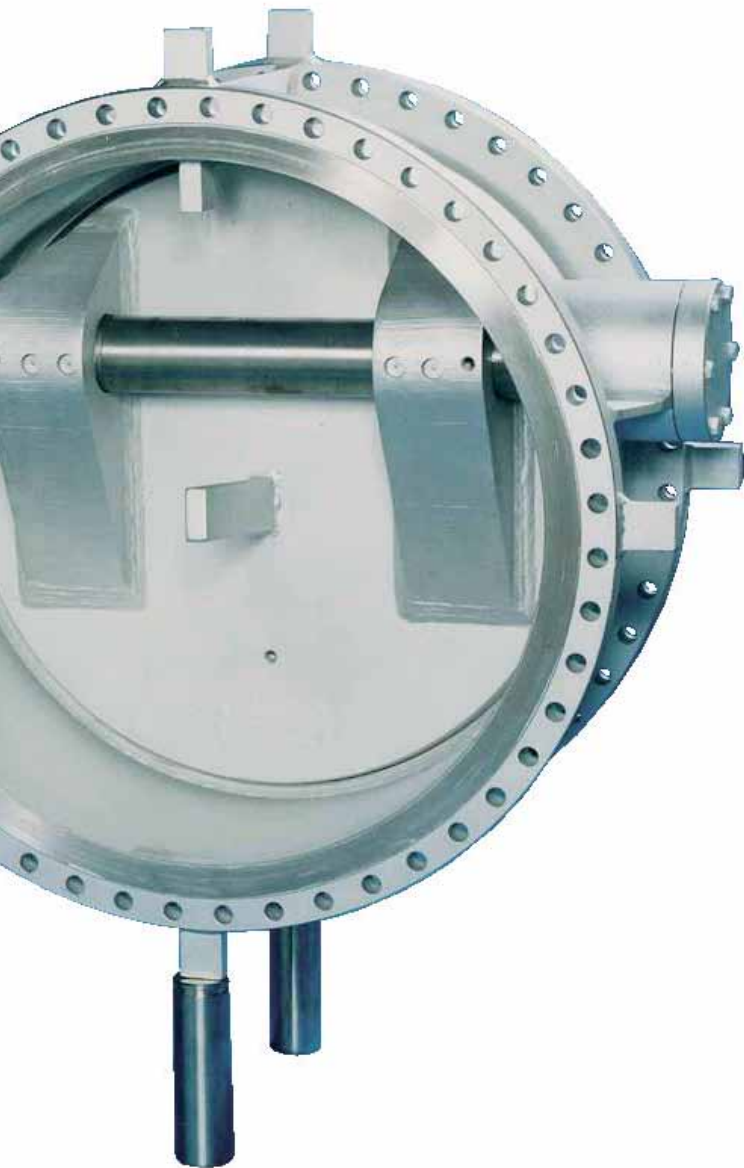
Sealing Detail

The sealing element is carried by the disc, resulting in reduced wear and consistent bi-directional sealing.



Tilting Disc Check RK 510 Key Technical Characteristics

Sealing Geometry:	Double-Eccentric
Disc Sealing:	Buna seal ring carried on disc
Seat:	Steel body seat
Face-To-Face	EN 558-2 (Series 14) ANSI B16.10 Customized on request



Double-Eccentric Design

Double offset geometry reduces friction and wear, improving sealing performance, reliability and lifetime.

Design

Available in Metal and Soft-seated.

Tilting Disc Check RK 510 Additional Options

Options

Actuation Packages

Lever and Weight, Pneumatic, Electric and Hydraulic packages available

Special Designs

Combined Butterfly/Check valve

Special Face-to-Face Dimensions

- Greater piping design flexibility
- Can replace competitors' valve without piping modifications

Special Flanges

Accommodates special customer requirements

Special Materials

To meet customer requirements

Special Approvals

ASME, PED, GOST-R, and others; complies with multiple International standards for EPCs/OEMs

Accessories

Additional Accessories available on request

Check Valve Standards & Certificates

Design: Swing or tilting disc type check

Face-To-Face

Dimension: EN 558, basic line 1

End

Connections: Weld or Flange Ends

Testing: EN 12266 part 1 and 2, API 598

Marking: PED 97/23/EC, AD2000-A4

Quality

Assurance: DIN EN ISO 9001:2008

Approvals: PED 97/23/EC
AD2000-A4
GOST-R
API-Specification 6D





CRANE Energy Flow Solutions®

CRANE Energy Global Headquarters
4526 Research Forest Drive, Suite 400
The Woodlands, Texas 77381 U.S.A.

Krombach Customer Service
Postfach 1130, D-57202
Kreuztal, Germany D-57202

Tel.: (1) 936-271-6500

Tel.: +49 (0) 2732/520-00

Fax.: (1) 936-271-6510

Fax.: +49 (0) 2732/520-100

Email: inquiry@krombach.com

www.craneenergy.com



Energy Flow Solutions



brands you trust.



COMPAC-NOZ®



DUO-CHEK®



NOZ-CHEK®



STOCKHAM®



UNI-CHEK®

NUCLEAR

VALVE SERVICES

EG-KB-CHEK-BU-EN-L16-1206

Crane Co., and its subsidiaries cannot accept responsibility for possible errors in catalogues, brochures, other printed materials, and website information. Crane Co. reserves the right to alter its products without notice, including products already on order provided that such alteration can be made without changes being necessary in specifications already agreed. All trademarks in this material are property of the Crane Co. or its subsidiaries. The Crane and Crane brands logotype (Aloyco®, Center Line®, Compac-Noz®, Crane®, Duo-Chek®, Flowseal®, Jenkins®, Krombach®, Noz-Chek®, Pacific Valves®, Stockham®, Triangle®, Uni-Chek®) are registered trademarks of Crane Co. All rights reserved.