

XOMOX[®]

XOMOX[®]
SLEEVED PLUG
VALVES
SERIES FEO



DATASHEET

CRANE[®]

v in

www.cranecpe.com

XOMOX® Sleeved Plug Valves Series FEO Product Overview

Product Specifications

Materials

- Stainless Steel (EN 1.4408)
- Carbon Steel (EN 1.0619)
- Others on Request

Size Range

- DN 15 to DN 400 ; 1/2" to 16"

Pressure Classes

- PN 10, 16, 25, 40; ASME Class 150 & 300#

Pressure Range

- Up to 40 Bar (580 psi) DIN Valves
- Up to 50 Bar (725 psi) ANSI Valves

Temperature Range

- Standard Temperature Range:
-100°C to 300°C (-148°F to 572°F)
- Certified AH Temperature Range:
-29°C to 260°C (-20°F to 500°F)
- Certified BH Temperature Range:
-60°C to 275°C (-76°F to 527°F)

Body Configurations

- 2-Way
- 3-Way Bottom
- 3-Way Side
- 4-Way

Configurations

- Standard with PTFE Packings
- Firesafe FIS with Graphite Packings
- Standart & Full Port
- Heating jacket
- Control Valve
- Flanged, Welded and Screwed Ends

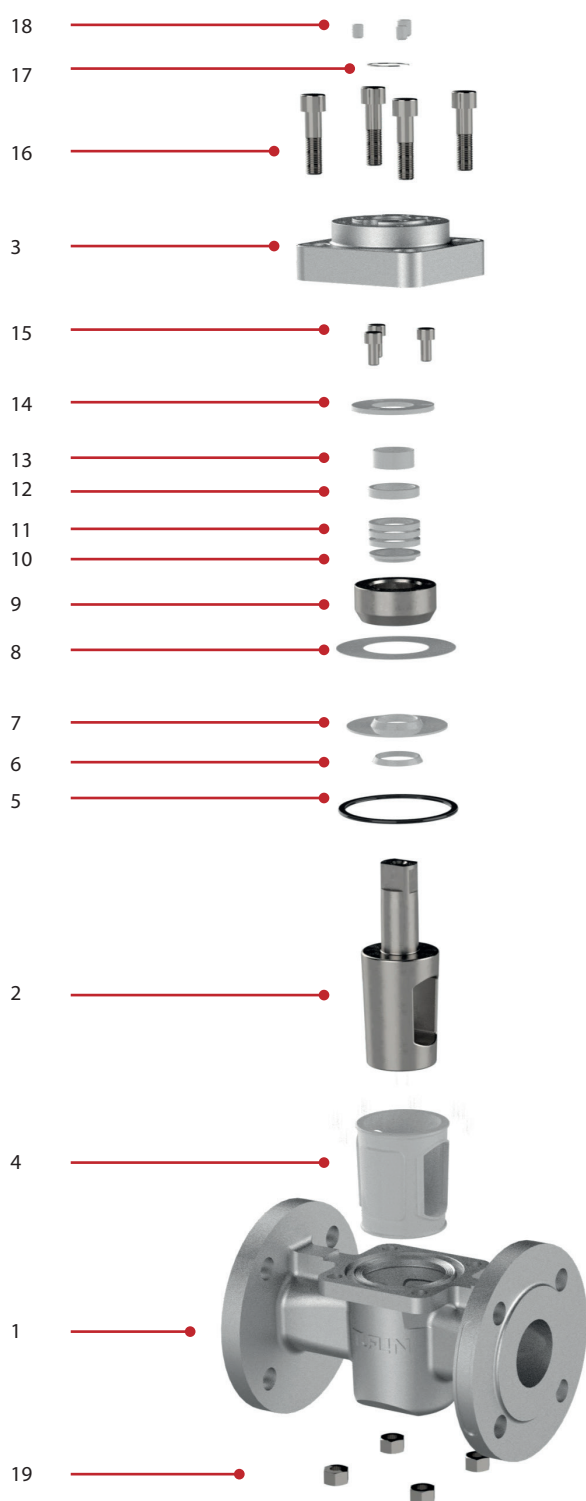
Typical Applications

- MDI/TDI
- Chlor-Alkali
- EDC
- VCM
- Methanol
- Phosgene
- Dry-Chlorine
- Hydrogen Cyanide
- Isocyanate
- Butadiene
- Nitrogen
- Sulfuric Acid
- Phosphoric Acid
- Ethylene Oxide
- Ethylene Glycol

Features and Benefits

- | | |
|---|--|
| <ol style="list-style-type: none"> 1 Regulatory compliance to ISO 15848-1:2015/2017 and TA-LUFT 2021 SSA0 Rating 2 Simplified maintenance & independent adjustment 3 Certified temperature range from -60°C to 275°C 4 Certified with AH – less than 20 ppm FUGITIVE EMISSIONS | <ol style="list-style-type: none"> 5 ISO 5211 top flange 6 Live loaded design & triple sealing system 7 No cavities, no contamination 8 Superior, longer-lasting in-line sealing |
|---|--|

XOMOX® Sleeved Plug Valves Series FEO Materials of Construction

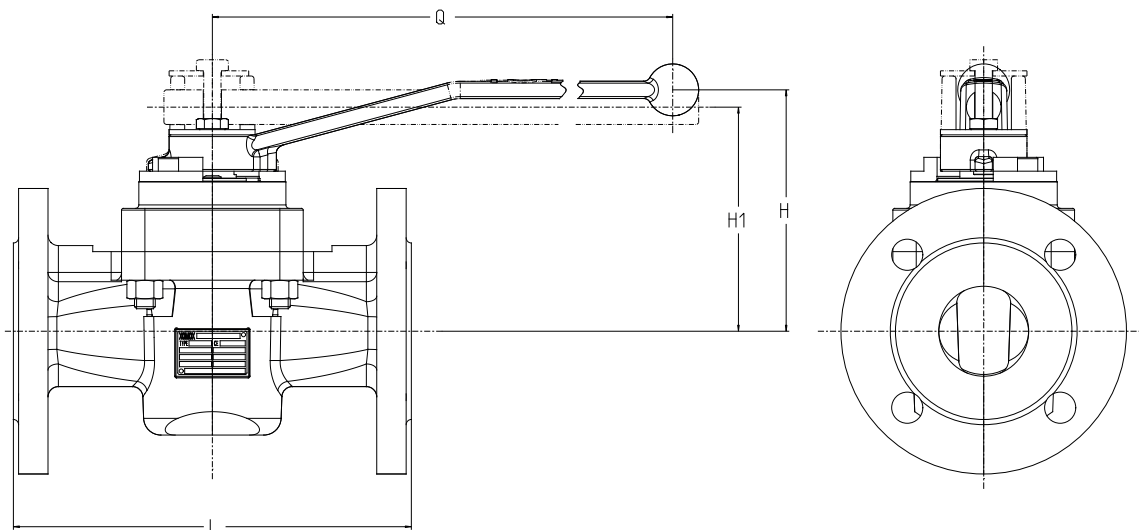


No	Component	SS/SS	WCB/SS
1	Body*	1.4408	1.0619
2	Plug*	1.4408	1.4408
3	Cover	1.4408	1.4408
4	Sleeve*	PTFE	PTFE
5	Cover Gasket	PTFE/SS/Graphite	PTFE/SS/Graphite
6	Wedge Ring	PTFE	PTFE
7	Formed Diaphragm	PTFE	PTFE
8	Metal Diaphragm	1.4301	1.4301
9	Stuffing Box	1.4408	1.4408
10	Peek Ring	PEEK	PEEK
11	Packing Rings	PTFE + Graphite	PTFE + Graphite
12	Follower	1.4571	1.4571
13	Stem Bearing	PTFE	PTFE
14	Spring Washer	17-7 PH / 1.4568	17-7 PH / 1.4568
15	Stuffing Box Bolts	A4-70	A4-70
16	Cover Bolts	A4-70	A4-70
17	Anti-Static Ring	SS	SS
18	Adjustment Screws	A4-70	A4-70
19	Cover Nuts	A4	A4

*See "How To Order" section for further material selections.

Xomox® Sleeved Plug Valves Series FEO Standard Port Dimensions

Flanged End / 2-Way / PN10-40 & Class 150, 300, 600 / DN15-100 & NPS 1/2 –4 Lever Operated



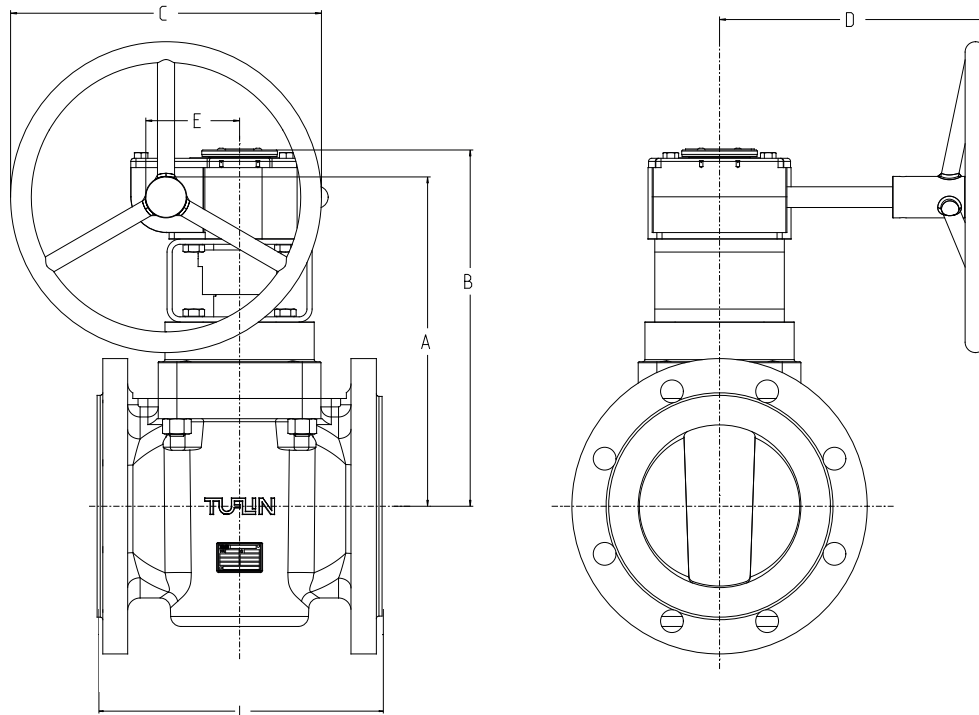
Dimensions in mm

DN	NPS	L			H	Q	Weight in kg		
		127	067	0367			127	067	0367
15	½	130	108	150	76	180	2.5	1.9	2.6
20	¾	150	117	152	76	180	3.1	2.3	3.4
25	1	160	127	159	96	260	4.6	3.5	5.0
32	-	180	-	-	96	260	6.5	-	-
40	1 ½	200	165	190	106	362	7.5	5.6	8.8
50	2	230	178	216	118	435	10.5	9.6	12.4
65	-	290	-	-	112	435	13.4	-	-
80	3	310	203	283	132	435	17.8	14.0	21.4
100	4	350	229	305	151	600	30.7	27.2	38.4

Valves also available as control valve „5...“, partial jacketed valve „...-H“, full port „2...“, „9...“ fully jacketed valve and with welded or threaded ends, dimensions upon request

XOMOX® Sleeved Plug Valves Series FEO Standard Port Dimensions

Flanged End / 2-Way / PN10-40 & Class 150, 300, 600 / DN80-400 & NPS 3 - 16 Gear Operated



DN	NPS	L			A	B	C	D	E	Approx. Weight in kg		
		127	067	0367						127	067	0367
80	3	310	203	283	204	236	200	169	52	34.6	30.8	38.2
100	4	350	229	305	235	267	200	169	52	45.5	42.0	53.2
125	5	267	267	-	308	347	300	223	67	55.0	55.0	84.0
150	6	**267	267	403	308	347	300	223	67	55.2	55.2	104.0
200	8	292	292	419	345	384	300	223	67	89.0	89.0	175.0
250	10	*330	330	457	360	404	457	279	90	146.0	146.0	-
300	12	*356	356	502	478	522	457	279	90	186.0	186.0	-
350	14	*550	550	762	517	594	762	427	154	380.0	380.0	-
400	16	***600	600	-	517	594	762	427	154	400.0	400.0	-

* PN 10 - 25 only

** Also available with face to face according to DIN EN 558-1 -DN 350 = PN 10-16

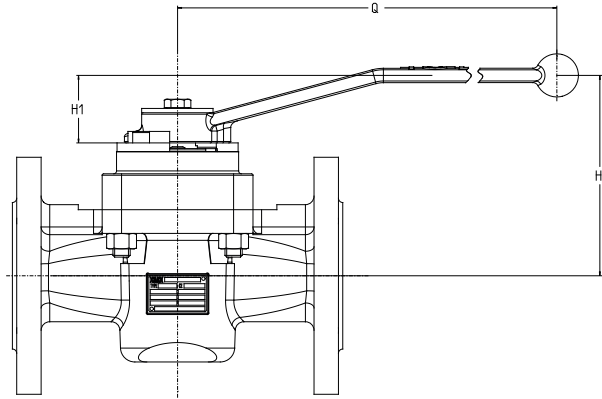
*** PN 10 - 16 only

Valves also available as control valve „5...“, partial jacketed valve „...-H“, full port „2...“, „9...“ fully jacketed valve and with welded or threaded ends, dimensions upon request

XOMOX® Sleeved Plug Valves Series FEO Standard Port Dimensions

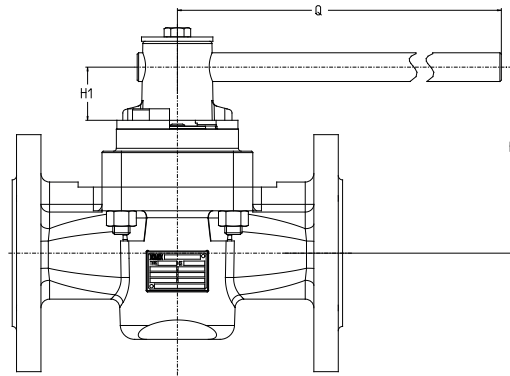
Standard Wrench

DN	NPS	H	H1	Q	Weight
15	½	91.5	45	180	0.1 kg
20	¾	91.5	45	180	0.1 kg
25	1	111.5	46	260	0.2 kg
32		111.5	46	260	0.2 kg
40	1 ½	121.5	45	362	0.3 kg
50	2	133.5	47	435	0.4 kg
65		127.5	47	435	0.4 kg
80	3	147.5	47	435	0.4 kg



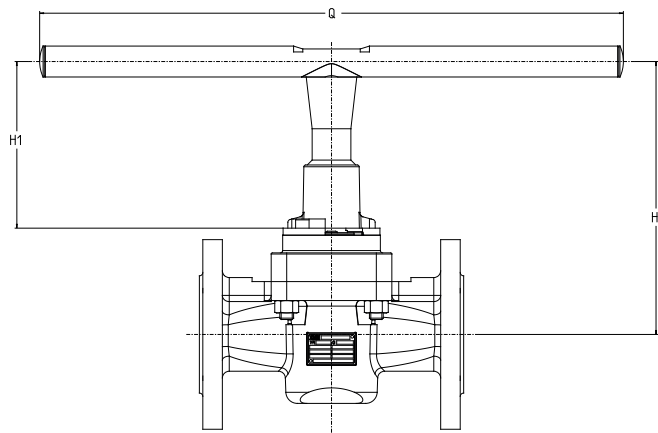
Wrench w/ Hub Cap

DN	NPS	H	H1	Q	Weight
15	½	83.5	36	190	0.3 kg
20	¾	83.5	36	190	0.3 kg
25	1	95.5	30	250	0.7 kg
32		95.5	30	250	0.7 kg
40	1 ½	106.5	30	300	1.1 kg
50	2	123.5	37	450	1.6 kg
65		117.5	37	450	1.6 kg
80	3	137.5	37	450	1.6 kg
100	4	166.5	45	600	3.2 kg



T-Wrench

DN	NPS	H	H1	Q	Weight
15	½	147.5	100	300	0.3 kg
20	¾	147.5	100	300	0.3 kg
25	1	210.5	145	300	0.6 kg
32		210.5	145	300	0.6 kg
40	1 ½	221.5	145	400	0.9 kg
50	2	231.5	145	500	1.3 kg
65		225.5	145	500	1.3 kg
80	3	245.5	145	500	1.3 kg
100	4	271.5	150	600	2.8 kg



XOMOX® Sleeved Plug Valves Series FEO Standard Port Torques and Kvs/Cv Values

Valve Torque (Nm)

PTFE & PTFE X

DN mm	NPS	Break Torque (Nm)
15	½	22
20	¾	22
25	1	43
32		43
40	1 ½	66
50	2	106
65		106
80	3	140
100	4	200
125	5	434
150	6	434
200	8	534
250	10	800
300	12	1066
350	14	2120
400	16	2120

Following Torque Multipliers are applicable based on material selection:

PTFE GF (15% or 25%), PTFE XC & PTFE XXC Sleeve: 1.35x

PFA Sleeve: 2x

Other sleeve materials available upon request.

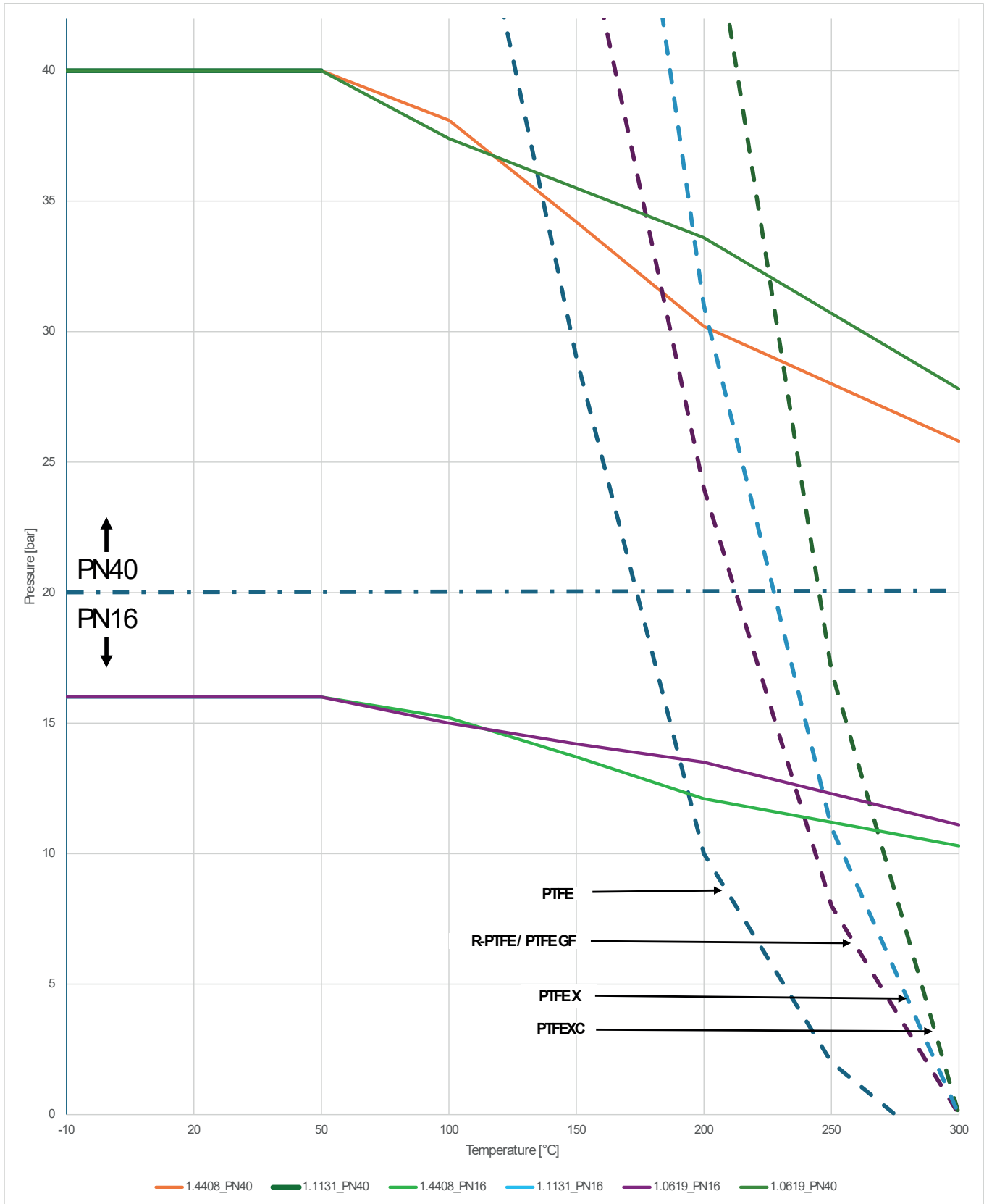
Shown values are for standard assembly using grease. Different Assembly methods, for example oil & grease free are impacting those values. Values upon request.

Flow Characteristics

Kvs / Cv—Values

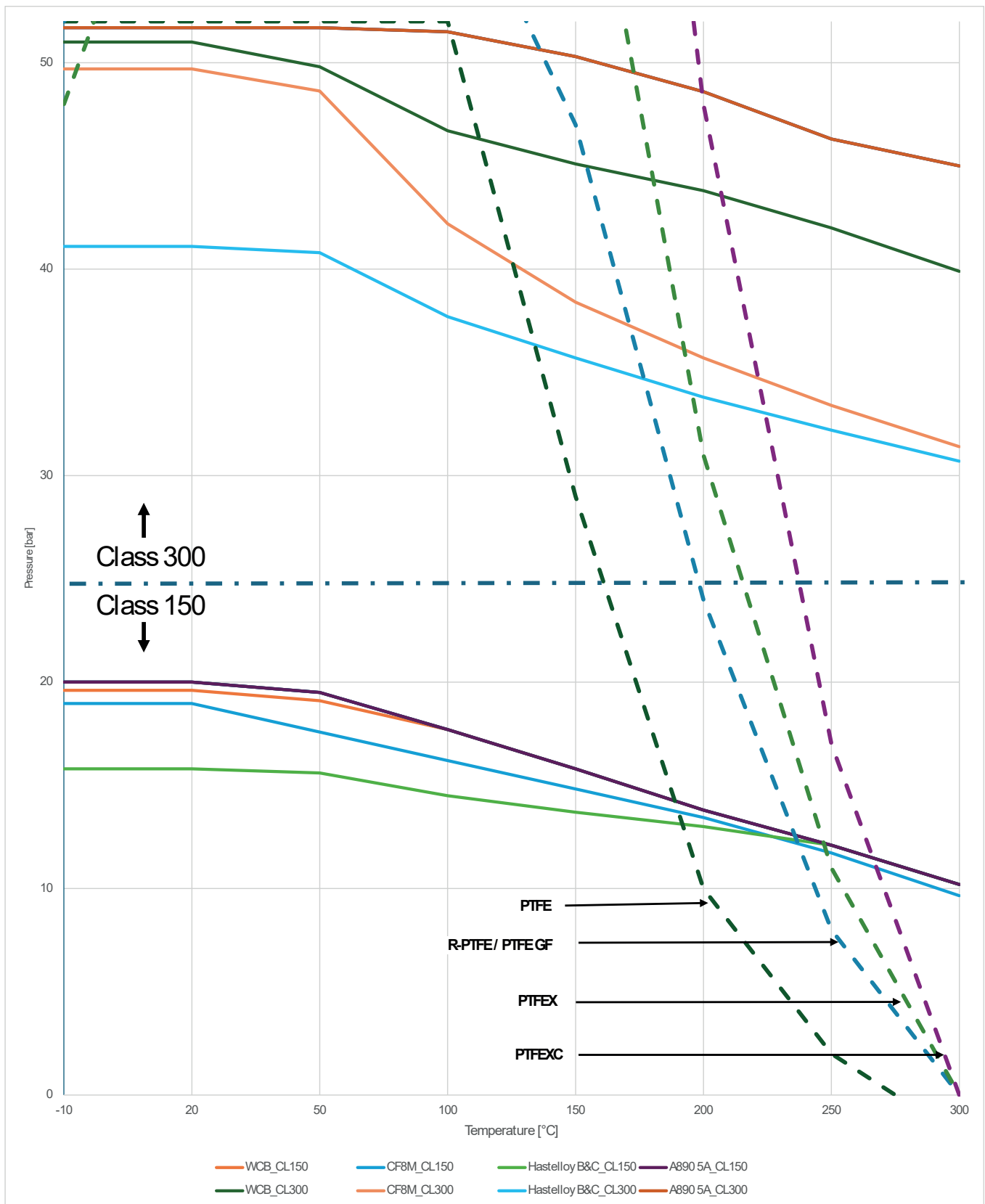
DN mm	NPS	vs m ³ /h	c _v Gpm
15	½	8	9.25
20	¾	8	9.25
25	1	30	34.68
32		30	34.68
40	1 ½	63	72.83
50	2	125	144.50
65		125	144.50
80	3	220	254.32
100	4	400	462.40
150	6	800	924.80
200	8	1196	1382.58
250	10	1795	2075.02
300	12	2650	3063.40
350	14	4466	5162.70
400	16	4466	5162.70

XOMOX® Sleeved Plug Valves Series FEO Pressure/Temperature Ratings (DIN Design)



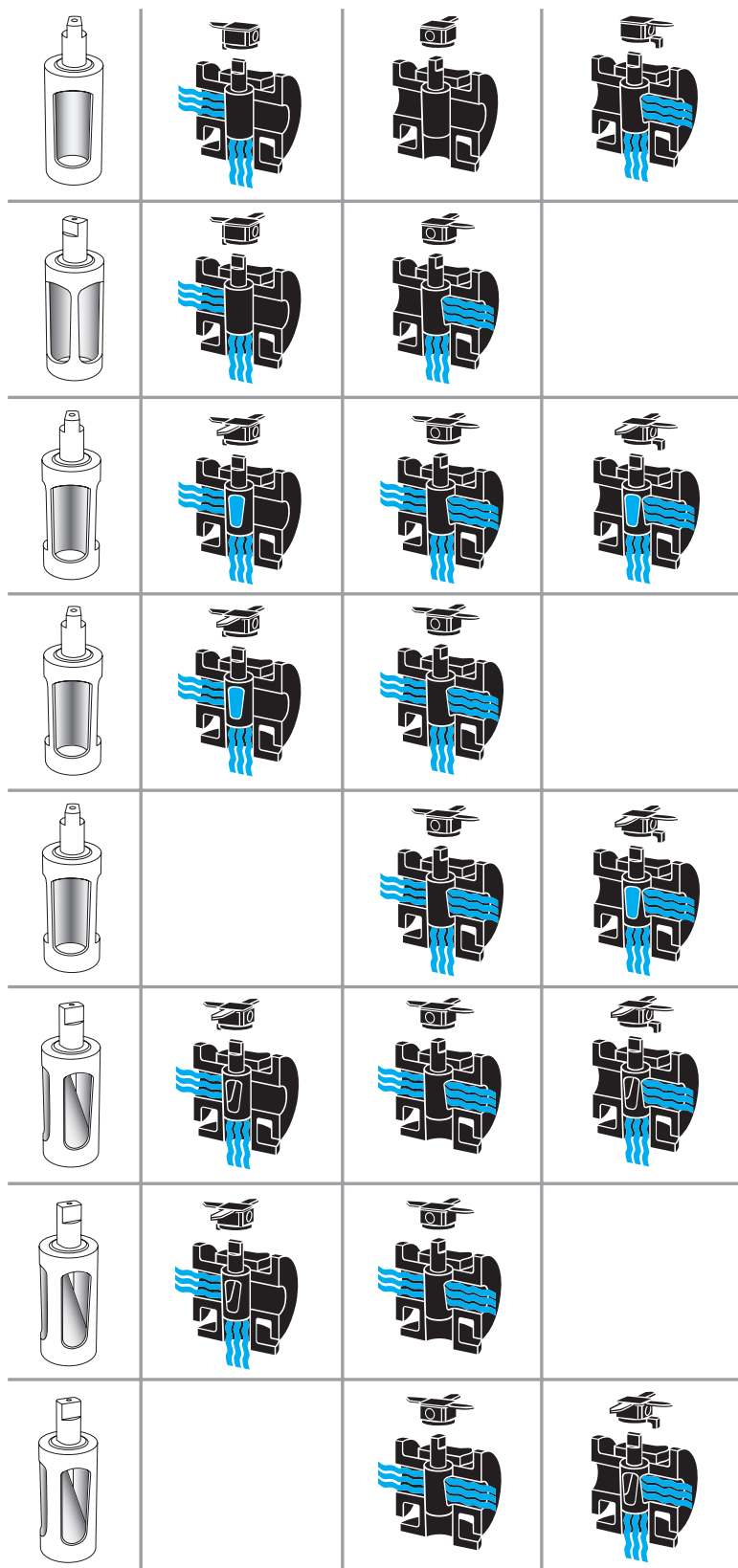
Note: Maximum permissible permanent operating temperature of the sleeve materials: 260°C
The permissible operating pressure for the metallic housing can be found in EN 12516-1 or EN 1092-1.

XOMOX® Sleeved Plug Valves Series FE0 Pressure/Temperature Ratings (ASME Design)

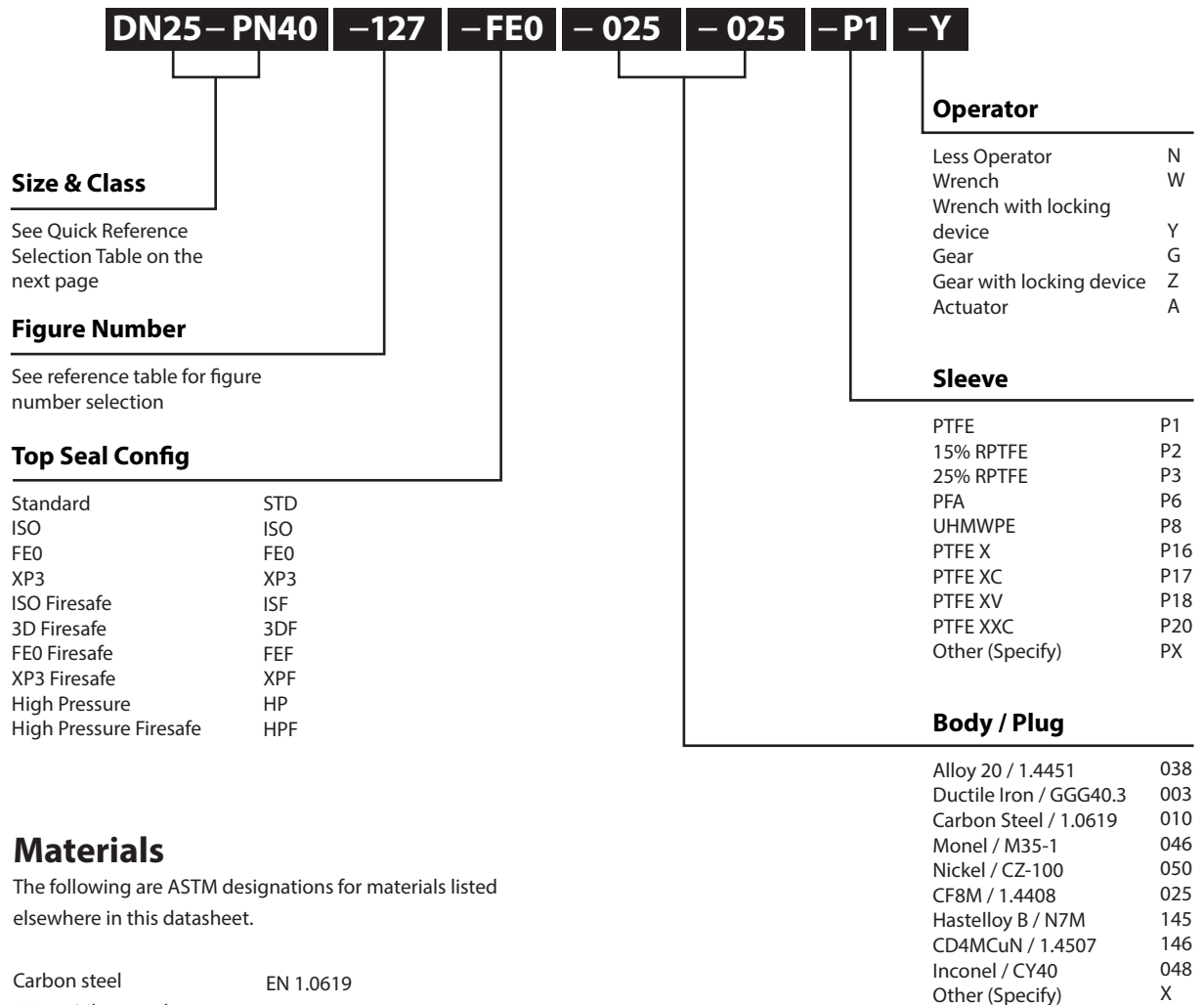


Note: Maximum permissible permanent operating temperature of the sleeve materials: 260°C
The permissible operating pressure for the metallic housing can be found in EN 12516-1 or EN 1092-1.

XOMOX® Sleeved Plug Valves Series FEO Multiport Configurations



XOMOX® Sleeved Plug Valves Series FEO How to order



Other ferrous and non-ferrous materials are available upon application.



CRANE CHEMPHARMA & ENERGY

Xomox International GmbH & Co.OHG
Von-Behring-Straße 15
88131 Lindau (Bodensee)
Germany
Tel.: +49 8382 702-0

Xomox Corp.
4444 Cooper Road,
Cincinnati, OH 45242
USA
Tel.: (513) 745-6000

Crane Company, and its subsidiaries cannot accept responsibility for possible errors in catalogues, brochures, other printed materials, and website information. Crane Company reserves the right to alter its products without notice, including products already on order provided that such alteration can be made without changes being necessary in specifications already agreed. All trademarks in this material are the property of the Crane Company or its subsidiaries. The Crane and Crane brands logotype (ALOYCO®, BAUM®, CENTER LINE®, CRANE®, CRYOWORKS®, DEPA® & ELRO®, DOPAK®, DUO-CHEK®, FLOWSEAL®, GYROLOK®, GO REGULATOR®, HOKE®, JENKINS®, KROMBACH®, NOZ-CHEK®, PACIFIC®, RESISTOFLEX®, XOMOX®, SAUNDERS®, STOCKHAM®, TECHNIFAB®, TEXAS SAMPLING®, WESTLOCK CONTROLS®, WTA®, and XOMOX®) are registered trademarks of Crane Co. All rights reserved.