

## Saunders<sup>®</sup> PES Performance Manual Bonnet

[www.cranecpe.com](http://www.cranecpe.com)

Saunders<sup>®</sup> PES manual bonnet is manufactured from high performance thermoplastic Polyether Sulphone and is available with a range of modular accessory options to suit process need.

### Key features include:

- PES (Polymer) shell and handwheel
- Size: DN15 – DN80
- Stainless Steel FDA conforming internals
- Internal travel stop to prevent overclosure
- Shrouded body shell
- Skirted shell encloses diaphragm (2 Way)
- Suitable for autoclave application
- Size range DN15-80

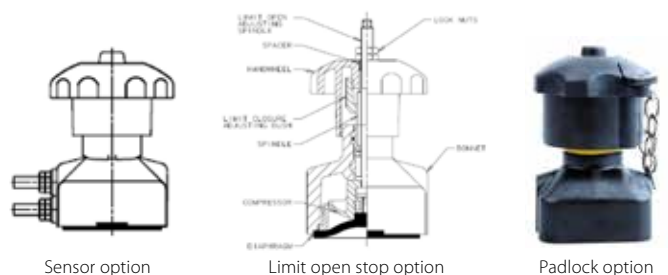
### Modular Accessories:

- Proximity Sensor (One Closed position DN15/20)
- Proximity Sensor (Open & Closed for sizes DN25-80)
- Limit Open Stop
- Padlocking



Shrouded Bonnet for Standard 2 Way

Flanged Bonnet for Machined Block



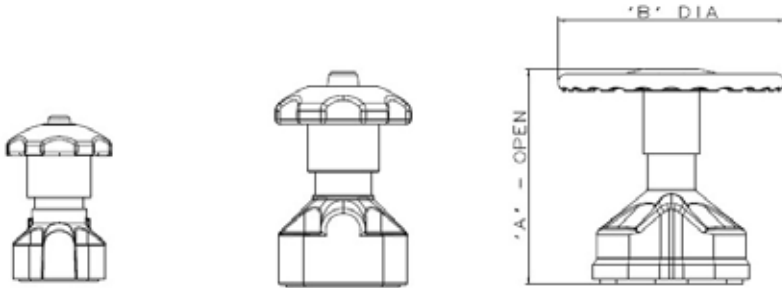
Sensor option

Limit open stop option

Padlock option

# Saunders® PES Performance Manual Bonnet

## PES Bonnet Dimensions

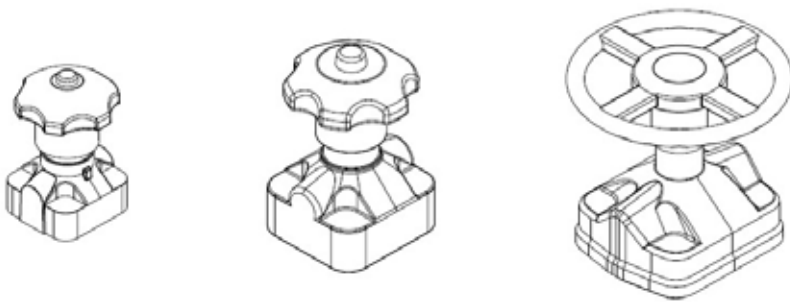


**Standard Shrouded Bonnet**

DN15/0.5 &  
DN20/0.75 ONLY

DN25/1.0 - DN65/2.5 ONLY

DN80/3.0 ONLY



**Flanged Bonnet Option for Machined Block Bodies**

## Dimensions and Weights

Valve Size	A		B		Weight
	mm	in	mm	in	kg
DN15	98	3.86	62	2.44	0.3
DN20	101	3.98	62	2.44	0.4
DN25	128	5.04	80	3.15	0.6
DN40	177	6.97	140	5.51	1.4
DN50	181	7.13	140	5.51	1.7
DN65	186	7.32	140	5.51	2.3
DN80	251	9.88	250	9.84	4.0

## Materials of Construction

Spindle	Stainless Steel BS EN 10083-3 1.4057
Spindle Brush	Brass ASTM B21 C48500 H02
Bonnet Inserts	Stainless Steel BS EN 10083-3 1.4057
O Rings	Silicone Rubber
Indicator Sleeve	Polyefin
Handwheel	PES
Limit Stop Brush	PES or Stainless Steel
Lock Screw	Stainless Steel
Compressor	Stainless Steel DN15-50: BS3100 304C15 DN65-80: BS3100 316C13
Compressor Inserts	PES
Cover Cap	Polypropylene

Grange Road, Cwmbran  
Gwent NP44 3XX,  
United Kingdom  
Phone: +44 1633 486666  
Fax: +44 1633 486777  
www.cranecpe.com

### Crane ChemPharma & Energy, Saunders®

Crane Co., and its subsidiaries cannot accept responsibility for possible errors in catalogues, brochures, other printed materials, and website information. Crane Co. reserves the right to alter its products without notice, including products already on order provided that such alteration can be made without changes being necessary in specifications already agreed. All trademarks in this material are property of the Crane Co. or its subsidiaries. The Crane and Crane brands logotype, in alphabetical order, (ALOYCO®, CENTER LINE®, COMPAC-NOZ®, CRANE®, DEPA®, DUO-CHEK®, ELRO®, FLOWSEAL®, JENKINS®, KROMBACH®, NOZ-CHEK®, PACIFIC VALVES®, RESISTOFLEX®, REVO®, SAUNDERS®, STOCKHAM®, TRIANGLE®, UNI-CHEK®, WTA®, and XOMOX®) are registered trademarks of Crane Co. All rights reserved.