



Pacific Valves® Forged Pressure Seal Valves

www.cranecpe.com

Forged Pressure Seal GGC valves are made of defect-free, 100% ultrasonic tested material in compliance with ASME B16.34

Key features include:

- ① **Feature 1:** Body design to minimize creep and fatigue impact for demanding applications
- ② **Feature 2:** Fully encapsulated seat rings to minimize hard facing delamination issues, preventing potential damage and unplanned plant shut downs
- ③ **Feature 3:** One-piece forged solid block design for all sizes



CRANE

Crane ChemPharma & Energy

www.cranecpe.com



Pacific Valves® Forged Pressure Seal Valves

Forged Pressure Seal Scope

Valve size	Pressure Class	Valve type	Configuration	End Connection	Material	Compliance	Application
20	600	Gate	Parallel Disc	BW	F91	ASME B16.34	Steam
22	600	Gate	Parallel Disc	BW	F91	ASME B16.34	Steam
24	600	Gate	Parallel Disc	BW	F91	ASME B16.34	Steam
26	600	Gate	Parallel Disc	BW	F91	ASME B16.34	Steam
28	600	Gate	Parallel Disc	BW	F91	ASME B16.34	Steam
30	600	Gate	Parallel Disc	BW	F91	ASME B16.34	Steam
12	1500	Gate	Parallel Disc	BW	F91	ASME B16.34	Steam
14	1500	Gate	Parallel Disc	BW	F91	ASME B16.34	Steam
16	1500	Gate	Parallel Disc	BW	F91	ASME B16.34	Steam
18	1500	Gate	Parallel Disc	BW	F91	ASME B16.34	Steam
12	2500	Gate	Parallel Disc	BW	F91	ASME B16.34	Steam
14	2500	Gate	Parallel Disc	BW	F91	ASME B16.34	Steam
16	2500	Gate	Parallel Disc	BW	F91	ASME B16.34	Steam
18	2500	Gate	Parallel Disc	BW	F91	ASME B16.34	Steam
12	1500	Y-globe	Stop Check	BW	F91	ASME B16.34	Steam
14	1500	Y-globe	Stop Check	BW	F91	ASME B16.34	Steam
16	1500	Y-globe	Stop Check	BW	F91	ASME B16.34	Steam
18	1500	Y-globe	Stop Check	BW	F91	ASME B16.34	Steam
12	2500	Y-globe	Stop Check	BW	F91	ASME B16.34	Steam
14	2500	Y-globe	Stop Check	BW	F91	ASME B16.34	Steam
16	2500	Y-globe	Stop Check	BW	F91	ASME B16.34	Steam
18	2500	Y-globe	Stop Check	BW	F91	ASME B16.34	Steam
12	1500	Gate	Wedge	BW	WB36	ASME B16.34	FeedWater
14	2500	Gate	Wedge	BW	WB36	ASME B16.34	FeedWater
16	2500	Gate	Wedge	BW	WB36	ASME B16.34	FeedWater
18	2500	Gate	Wedge	BW	WB36	ASME B16.34	FeedWater
20	2500	Gate	Wedge	BW	WB36	ASME B16.34	FeedWater
12	1500	Swing Check		BW	WB36	ASME B16.34	FeedWater
14	2500	Swing Check		BW	WB36	ASME B16.34	FeedWater
16	2500	Swing Check		BW	WB36	ASME B16.34	FeedWater
18	2500	Swing Check		BW	WB36	ASME B16.34	FeedWater
20	2500	Swing Check		BW	WB36	ASME B16.34	FeedWater

Typical Applications

- High pressure steam
- Hot reheated steam
- Feed water

Materials of Construction

- F91
- WB36
- Other materials available upon request

Pressure Ratings

- 600
- 1500
- 2500

Body Configurations

- Gate
- Y-Globe Stop Check
- Swing Check

End Connections

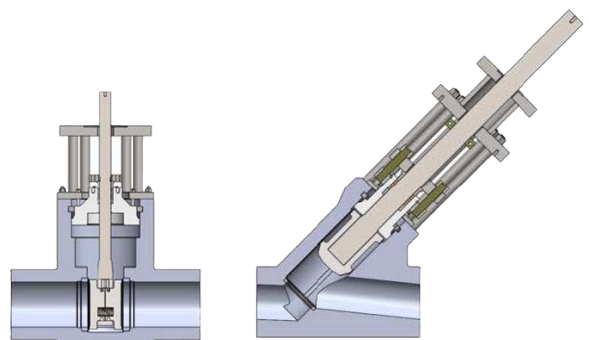
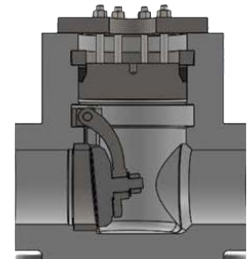
- Butt Weld

Compliance

- ASME B16.34

Size Range

- 12"–30"



Temperature Range

Standard	Unit	Temperature	Material
ASTM	°C	610	A 182 F91
	°F	1130	
DIN	°C	425	WB36 (15NiCuMoNbS)
	°F	797	

Manufacturing Plant
4444 Cooper Road
Cincinnati, OH 45242
Tel.: +1 513-745-6000
Fax: +1 513-745-6086
www.cranepce.com

Crane ChemPharma & Energy, Pacific Valves®

Crane Co., and its subsidiaries cannot accept responsibility for possible errors in catalogues, brochures, other printed materials, and website information. Crane Co. reserves the right to alter its products without notice, including products already on order provided that such alteration can be made without changes being necessary in specifications already agreed. All trademarks in this material are property of the Crane Co. or its subsidiaries. The Crane and Crane brands logotype, in alphabetical order, (ALOYCO®, CENTER LINE®, COMPAC-NOZ®, CRANE®, DEPA®, DUO-CHEK®, ELRO®, FLOWSEAL®, JENKINS®, KROMBACH®, NOZ-CHEK®, PACIFIC VALVES®, RESISTOFLEX®, REVO®, SAUNDERS®, STOCKHAM®, TRIANGLE®, UNI-CHEK®, WTA®, and XOMOX®) are registered trademarks of Crane Co. All rights reserved.