

NOZ-CHEK[®]

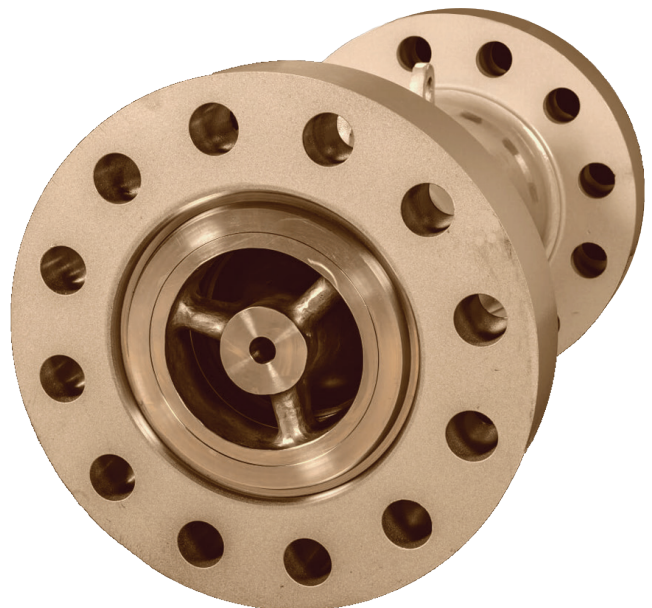
NOZ-CHEK[®] Clad Axial Non-Slam Check Valve

www.cranecpe.com

NOZ-CHEK[®] Axial Non-Slam Check Valves are now available with Clad lining for high pressure services.

Key features include:

- 1 **Clad Lining:** Full internal wetted area is weld overlaid with 3mm clad lining
- 2 **High Pressure Class:** Available for up to API 20,000 Pressure classes, and ANSI 2500
- 3 **Threaded Diffuser Assembly:** Threaded diffuser base eliminates sealing area misalignment and ensures valve integrity over full lifetime of valve
- 4 **Locking Snap ring:** Threaded diffuser for Hub End and Weld End valves are additionally secured with snap ring to prevent diffuser unscrewing over long term operation



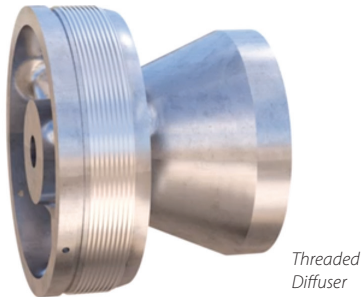
CRANE[®]

www.cranecpe.com

NOZ-CHEK® Clad Axial Non-Slam Check Valve

Technical Data

- Cast material body and disc assembly
- Threaded diffuser base
- Locking snap ring
- Zero Body Penetrations – No Fugitive emissions



Typical Applications

- Gas Skids
- Sour Gas Application
- Corrosive Application
- High Pressure Gas Applications

Size Range*

- 2" up to 24" / DN 50 up to DN 600

Pressure Rating

- API 6A Pressure Class
13.8 MPa–138.0 Mpa (2,000 to 20,000 psi)
- ASME class 150 - 2500 / PN 10, 16, 25, 40, 63, 100

Temperature Range

Standard	Unit	Temp.	Base Material	Cladding Material
ASME	°C	-29 °C to 399 °C	ASTM A216 WCB	Inconel 625
		-29 °C to 427 °C	ASTM A216 WCB	Stainless Steel
		-29 °C to 350 °C	ASTM A216 WCB	Alloy 825
	°F	-20 °F to 750 °F	ASTM A216 WCB	Inconel 625
		-20 °F to 800 °F	ASTM A216 WCB	Stainless Steel
		-20 °F to 662 °F	ASTM A216 WCB	Alloy 825

Equivalent materials to DIN standards also available in these ranges.

Materials of Construction

WCB base material with:

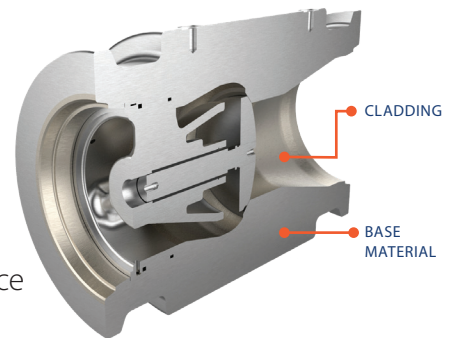
- Inconel 625 Cladding
- Alloy 825 Cladding
- Stainless Steel Cladding
- Other internal parts to match Cladding

Body Configurations

- Manufacturer's standard face to face
- API 6D face to face

End Connections

- Hub End
- Weld End
- Flanged
 - RTJ
 - Raised Face / Flat Face



Clad Axial Non-Slam Check Valve

Compliance

- API 598
- ASME B16:34
- API 6FA
- PED (CE Marking)

* For other sizes, materials or special requirements please contact your local Sales Representative.

Crane Stockham Valve Ltd.
6 Alexander Road,
Cregagh, Belfast, BT6 9HJ
United Kingdom
belfastsales@cranecpe.com
www.cranecpe.com

Crane ChemPharma & Energy, NOZ-CHEK®

Crane Co., and its subsidiaries cannot accept responsibility for possible errors in catalogues, brochures, other printed materials, and website information. Crane Co. reserves the right to alter its products without notice, including products already on order provided that such alteration can be made without changes being necessary in specifications already agreed. All trademarks in this material are property of the Crane Co. or its subsidiaries. The Crane and Crane brands logotype, in alphabetical order, (ALOYCO®, CENTER LINE®, COMPAC-NOZ®, CRANE®, DEPA®, DUO-CHEK®, ELRO®, FLOWSEAL®, JENKINS®, KROMBACH®, NOZ-CHEK®, PACIFIC VALVES®, RESISTOFLEX®, REVO®, SAUNDERS®, STOCKHAM®, TRIANGLE®, UNI-CHEK®, WTA®, and XOMOX®) are registered trademarks of Crane Co. All rights reserved.