

CRANE[®]

brands you trust.



**Crane[®] Actuators and Automation
Scotch Yoke**

CRANE[®]

Crane ChemPharma Energy

www.cranecpe.com

Crane® Scotch Yoke Actuators

Features Benefits

Scotch Yoke Actuators

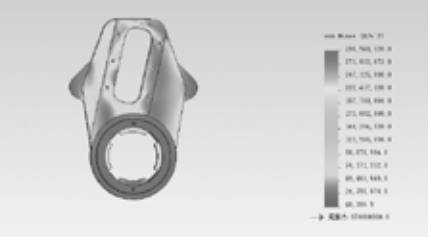
Scotch Yoke are available as pneumatic or hydraulic actuators. The linear movement of the pressure operated piston will be transferred into a rotation by a yoke. These actuators can be used for on/off application and the special torque characteristic make them ideal for control applications. They have an increased torque range compared to Rack Pinion actuators. Scotch Yoke actuators are available as double acting actuators and single acting spring return actuators for safety reasons. Several accessories can be equipped like solenoid valves, smart positioners, limit switches, etc.

Design and Construction

C-HPY series pneumatic and hydraulic actuators provide global customers the latest valve actuation design. It is a highly unique and reliable means of operating ball, butterfly or plug valves with 90 degrees rotating mechanisms.

Extensive Product Range

Crane ChemPharma Energy offers the most extensive line of fluid power valve actuators. Products include low and high pressure pneumatic, hydraulic and pneumatic-hydraulic actuators.



Modular Design

C-HPY series actuators share a modular construction design. The center body is available in ten sizes. A pneumatic or hydraulic cylinder can be attached to either or both sides. A spring cartridge can also be fitted to either side for ESD (emergency shut down) applications. Modular construction and stocking of components facilitates quick delivery times.

Crane® Scotch Yoke Actuators Features Benefits

Manual Override Options

A dependable manual override facility is an important part in many valve/actuator applications. Crane ChemPharma Energy actuators has a variety of override options available to meet any requirement. Available options include open or enclosed screws in both gear reducer and declutch override gear box, as well as a number of hydraulic override solutions.

Minimum Maintenance

Every C-HPY actuator is built to provide long and efficient service with minimum maintenance. The design, engineering and materials used in their construction ensure optimum performance even in the harshest environments.

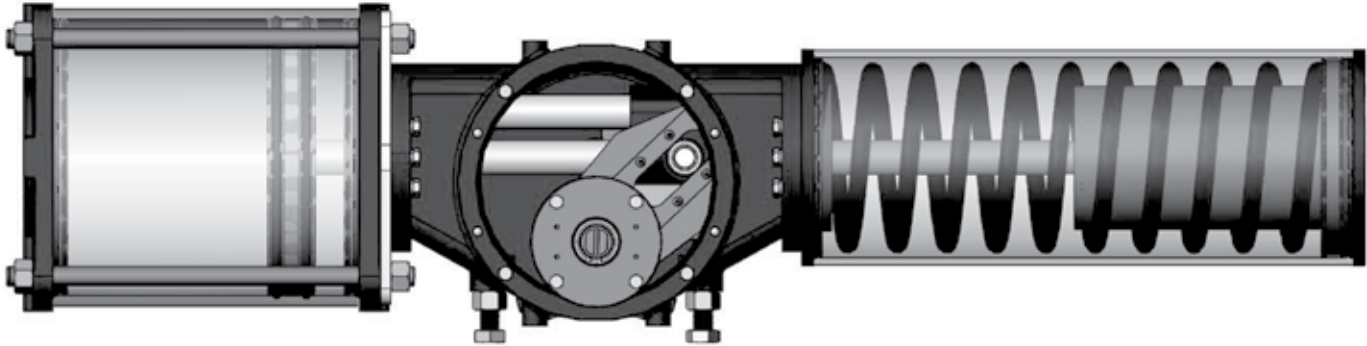


Robust yet Lightweight Design

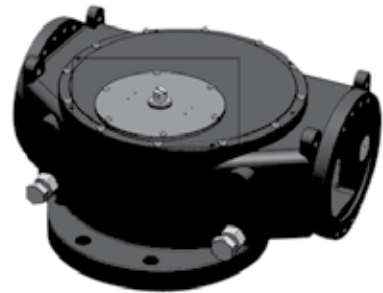
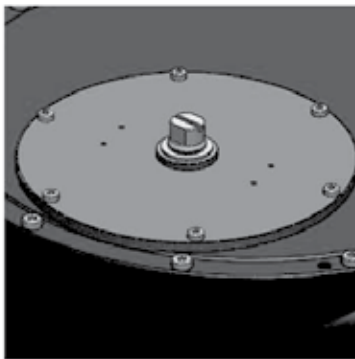
Totally enclosed weatherproof center-body fabricated in carbon steel or ductile iron provides an excellent strength to weight ratio. The mechanism of piston and yoke has an advantageous torque output.

Crane[®] Scotch Yoke Actuators Performance Characteristics

C-HPY actuators have torque outputs for spring-return models up to 110,000Nm and double-acting models up to 240,000Nm at operating pressures of 3-10 bar.



The pinion shape conforms to the latest standards of ISO5211, NAMUR. The dimensions can be customized and the stainless steel is optionally available. A Position indicator acc. to NAMUR is convenient for the assembly of accessories such as Limit Switch box, Positioner etc.

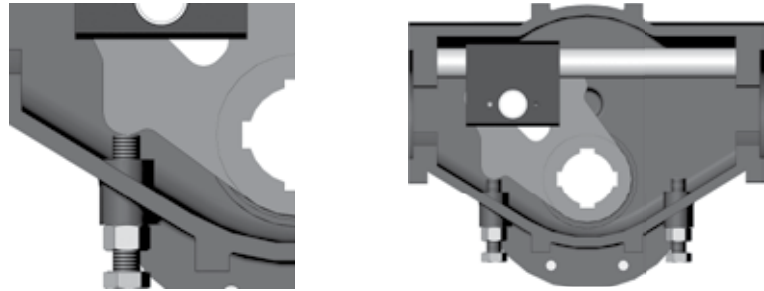
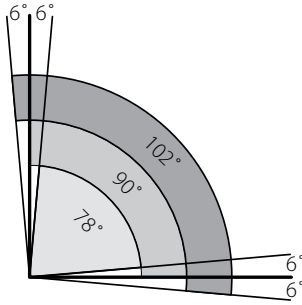


The dual-material (rubber and PFA) encapsulated O-rings can be applied to a wide range of temperature and conditions. A double O-ring and bearing design ensures the stability and dependability of the modular cylinder.



Crane® Scotch Yoke Actuators Performance Characteristics

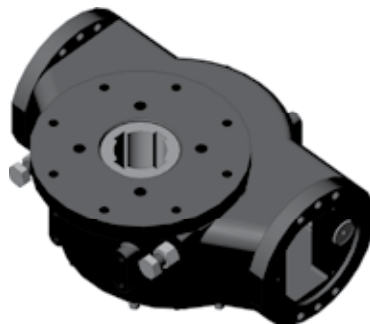
Integral bi-directional travel stops, adjustable from -6° to 96° of total valve travel, assist the C-HPY Series in prolonging valve seat integrity.



Operating temperatures:
Standard -20°C to $+80^{\circ}\text{C}$
High Temperature -15°C to $+150^{\circ}\text{C}$
Low Temperature -40°C to $+80^{\circ}\text{C}$



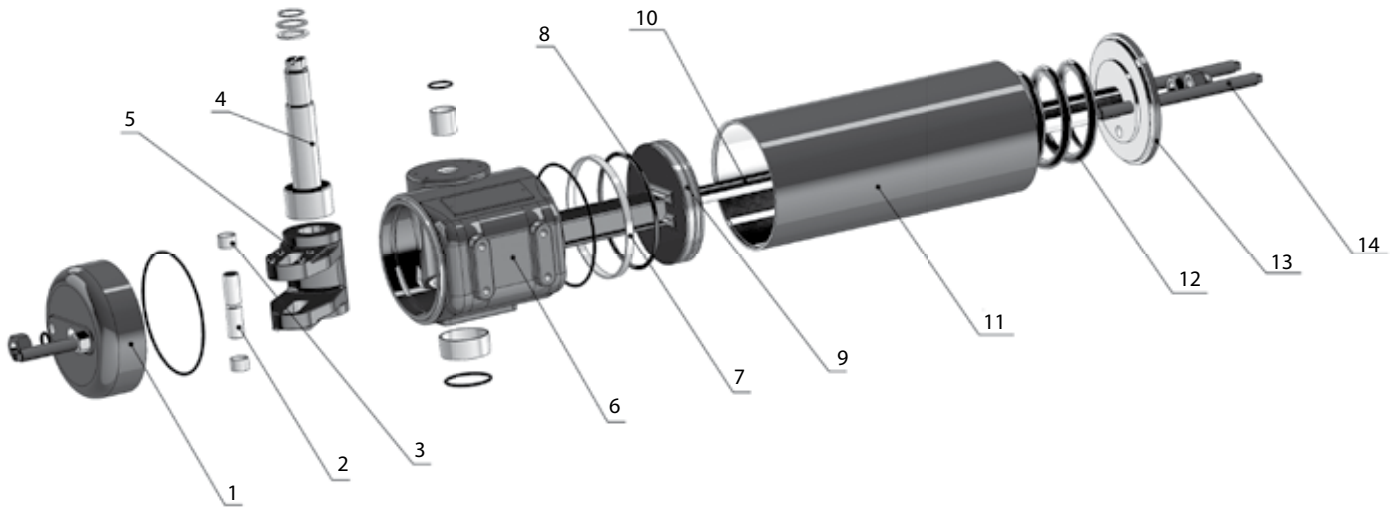
Made from low friction, long-life compound material, to avoid any direct contact between metals. The maintenance is easy and convenient.



The C-HPY actuators body provides a balanced torque ratio at both the break and end position.

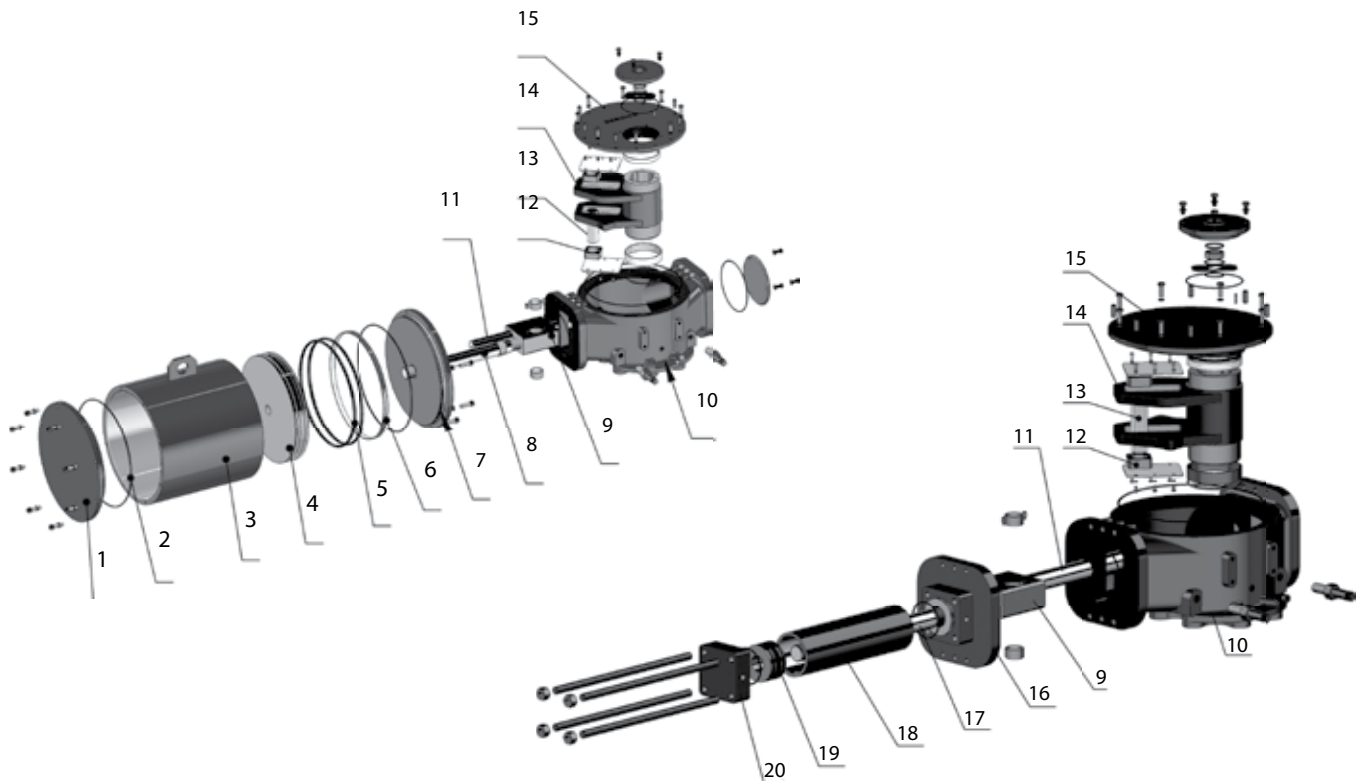


Crane® Scotch Yoke Actuators Parts and Materials - Small Output Torque Models



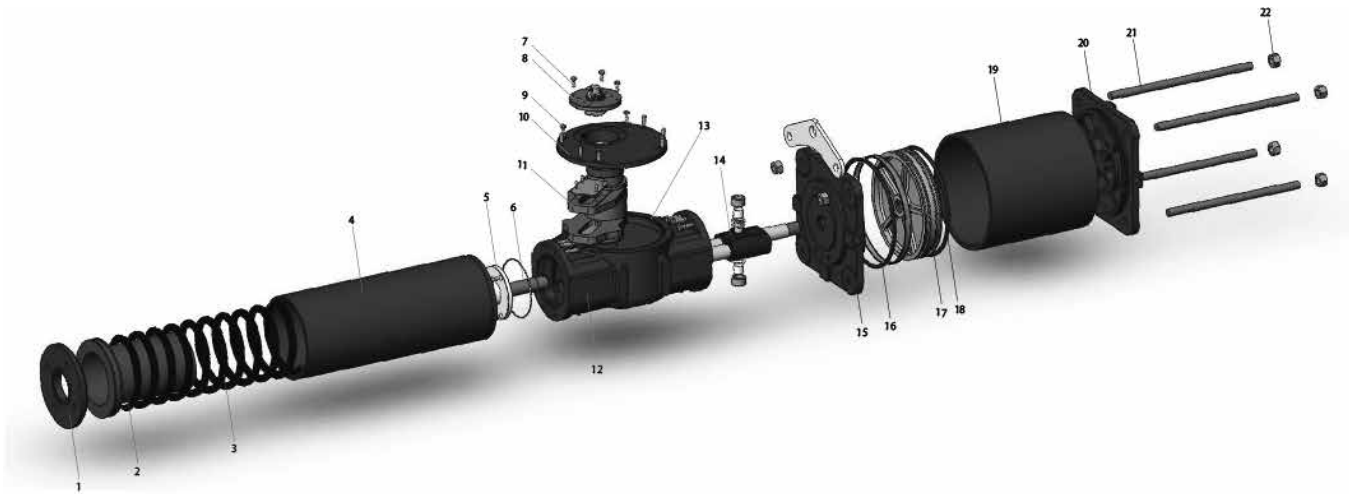
No.	Description	Qty	Material	Optional Material
1	End Cap	1	Ductile Iron	Carbon Steel
2	Yoke Pin	1	Alloy Steel	
3	Bearing	2	Steel PTFE	
4	Shaft	1	Carbon Steel	
5	Yoke	1	Ductile Iron	Carbon Steel
6	Center Body	1	Ductile Iron	Carbon Steel
7	Guide Ring	1	Resin	
8	O-Ring	2	NBR	HNBR, VMQ, FVMQ
9	Piston	1	Ductile Iron	Carbon Steel
10	Guide Rod	1	Alloy Steel	
11	Cylinder	1	Carbon Steel	
12	Spring	1	Spring Steel	
13	Cylinder Cap	1	Ductile Iron	Carbon Steel
14	Stop Adjustment Screw	2	Carbon Steel	

Crane[®] Scotch Yoke Actuators Parts and Materials - For Hydraulic Actuators



No.	Description	Qty	Material	Optional Material
1	Cylinder Cap	1	Ductile Iron	Carbon Steel
2	O-ring	2	NBR	HNBR, VMQ, FVMQ
3	Cylinder	1	Carbon Steel	
4	Piston	1	Ductile Iron	Carbon Steel
5	O-ring	2	NBR	HNBR, VMQ, FVMQ
6	Guide Ring	1	Resin	
7	Cylinder Seat	1	Ductile Iron	Carbon Steel
8	Piston Rod	1	Alloy Steel	
9	Guide Block	1	Alloy Steel	
10	Center Body	1	Ductile Iron	Carbon Steel
11	Guide Rod	1	Alloy Steel	
12	Bearing	2	Steel PTFE	
13	Yoke Pin	1	Alloy Steel	
14	Yoke	1	Ductile Iron	Carbon Steel
15	Center Body Cap	1	Ductile Iron	Carbon Steel
16	Cylinder Seat (Hydraulic)	1	Carbon Steel	
17	Piston Rod (Hydraulic)	1	Carbon Steel	
18	Cylinder (Hydraulic)	1	Carbon Steel	
19	Piston (Hydraulic)	1	Carbon Steel	
20	Cylinder Cap (Hydraulic)	1	Carbon Steel	

Crane® Scotch Yoke Actuators Parts and Materials - Large Output Torque Models



Spring Modular

No.	Description	Qty	Material
1	Tank Cap	1	Carbon Steel
2	Spring Seat	1	Carbon Steel
3	Spring	1	Spring Steel
4	Spring Tank	1	Carbon Steel
5	Bear Seat	1	Alloy Steel

Centre Body Modular

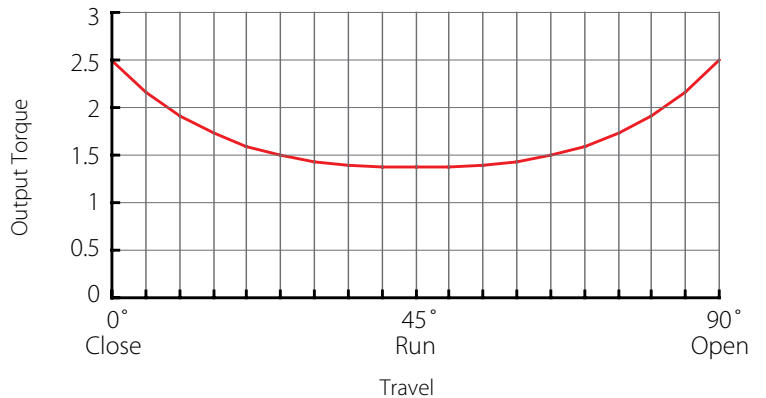
No.	Description	Qty	Material
6	Spring Stem	1	Carbon Steel
7	Screw	n	Carbon Steel
8	Indicator	1	Carbon Steel
9	Screw	n	Carbon Steel
10	Centre Body Cap	1	Ductile Iron
11	Yoke	1	Ductile Iron
12	Centre Body	1	Ductile Iron
13	Cap O-ring	1	Rubber
14	Guide Block	1	Alloy Steel

Cylinder Modular

No.	Description	Qty	Material
15	Cylinder Seat	1	Ductile Iron
16	O-Ring	1	Rubber
17	Piston	1	Carbon Steel
18	Guide Ring	1	Resin
19	Cylinder	1	Carbon Steel
20	Cylinder Cap	1	Ductile Iron
21	Screw	n	Carbon Steel
22	Screw Nut	n	Carbon Steel

Crane[®] Scotch Yoke Actuators

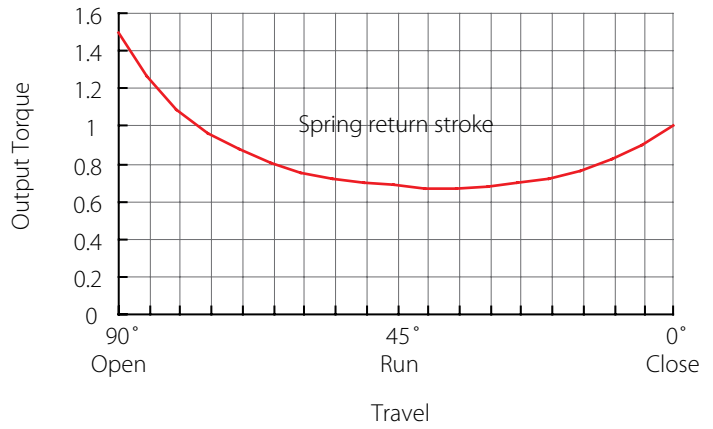
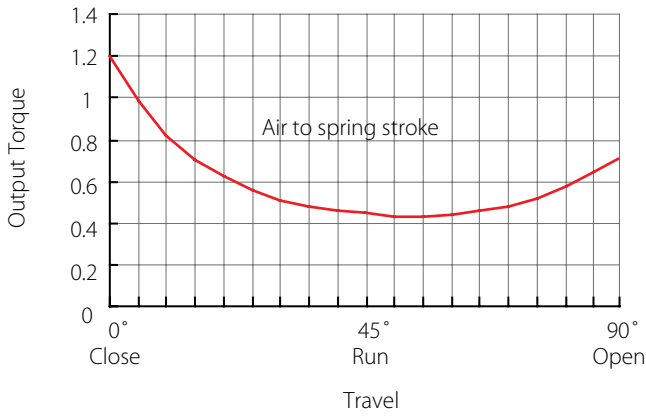
Output Torque of Double Acting C-HPY Series B Actuator



Model	Output Torque (Nm)						Air Pressure (Mpa)					
	0,35			0,4			0,5			0,6		
	0°	45°	90°	0°	45°	90°	0°	45°	90°	0°	45°	90°
C-HPY-B04-125-DA	384	222	384	439	253	439	549	317	549	659	380	659
C-HPY-B05-160-DA	728	417	728	832	477	832	1041	596	1041	1249	715	1249
C-HPY-B06-201-DA	1269	670	1269	1451	766	1451	1814	958	1814	2154	1138	2154
C-HPY-B08-221-DA	2000	1056	2000	2286	1207	2286	2857	1509	2857	3428	1810	3428
C-HPY-B08-251-DA	2599	1372	2599	2970	1568	2970	3712	1960	3712	4455	2352	4455
C-HPY-B1-281-DA	3836	2026	3836	4384	2315	4384	5480	2894	5480	6576	3473	6576
C-HPY-B1-321-DA	5035	2659	5035	5754	3039	5754	7193	3798	7193	8631	4558	8631
C-HPY-B1-351-DA	6039	3189	6039	6902	3644	6902	8627	4556	8627			
C-HPY-B2-351-DA	7193	3798	7193	8220	4341	8220	10275	5426	10275	12330	6511	12330
C-HPY-B2-401-DA	9440	4985	9440	10789	5697	10789	13486	7122	13486	16184	8546	16184
C-HPY-B2-451-DA	11988	6330	11988	13700	7235	13700	17126	9043	17126			
C-HPY-B3-451-DA	14306	7555	14306	16350	8634	16350	20438	10792	20438	24525	12951	24525
C-HPY-B3-501-DA	17723	9359	17723	20255	10696	20255	25318	13369	25318	30382	16043	30382
C-HPY-B3-561-DA	22297	11774	22297	25483	13456	25483	31854	16820	31854	38224	20184	38224
C-HPY-B3-601-DA	25635	13537	25635	29297	15470	29297	36621	19338	36621			
C-HPY-B4-601-DA	30797	16263	30797	35197	18586	35197	43996	23232	43996	52796	27879	52796
C-HPY-B4-631-DA	33986	17946	33986	38841	20510	38841	48552	25638	48552	58262	30765	58262
C-HPY-B4-502-DA	42584	22487	42584	48668	25699	48668	60835	32124	60835			
C-HPY-B4-701-DA	42031	22195	42031	48036	25365	48036	60044	31707	60044			
C-HPY-B4-562-DA	53576	28291	53576	61230	32332	61230						
C-HPY-B4-801-DA	54993	29039	54993	62849	33188	62849						
C-HPY-B5-701-DA	50399	26614	50399	57599	30416	57599	71999	38019	71999	86399	45623	86399
C-HPY-B5-562-DA	64145	33872	64145	73308	38711	73308	91635	48388	91635	109963	58066	109963
C-HPY-B5-801-DA	65984	34843	65984	75410	39820	75410	94263	49776	94263	113115	59731	113115
C-HPY-B5-602-DA	73786	38963	73786	84327	44529	84327	105409	55661	105409	126491	66794	126491
C-HPY-B5-632-DA	81454	43012	81454	93090	49156	93090	116362	61446	116362			
C-HPY-B5-901-DA	83646	44169	83646	95595	50479	95595	119494	63099	119494			
C-HPY-B5-702-DA	100799	53227	100799	115199	60831	115199						
C-HPY-B5-1001-DA	103386	54593	103386	118155	62392	118155						
C-HPY-B6-901-DA	112390	59348	112390	128446	67826	128446	160558	84783	160558	192669	101740	192669
C-HPY-B6-702-DA	135271	71430	135271	154596	81635	154596	193245	102043	193245	231894	122452	231894
C-HPY-B6-1001-DA	138964	73380	138964	158816	83863	158816	198519	104829	198519	238223	125795	238223
C-HPY-B6-802-DA	177229	93586	177229	202547	106956	202547	253184	133695	253184			
C-HPY-B6-902-DA	224781	118696	224781	256893	135653	256893						

Crane® Scotch Yoke Actuators

Output Torque C-HPY Series B Actuator with Spring Return (FC)



Model	Air to Spring (4 bar)			Spring			Air to Spring (5 bar)			Spring			Air to Spring (6 bar)			Spring		
	0°	45°	90°	90°	45°	0°	0°	45°	90°	90°	45°	0°	0°	45°	90°	90°	45°	0°
C-HPY-B04-125-SRC4	269	105	125	292	110	148	373	160	230	292	110	148	478	213	334	292	110	148
C-HPY-B04-125-SRC5							336	132	160	362	137	186	441	186	264	362	137	186
C-HPY-B04-125-SRC6													404	158	188	438	165	222
C-HPY-B05-160-SRC4	511	199	241	549	207	279	710	300	440	549	207	279	907	401	638	549	207	279
C-HPY-B05-160-SRC5							640	248	306	683	258	349	838	349	504	683	258	349
C-HPY-B05-160-SRC6													769	298	365	822	310	418
C-HPY-B06-201-SRC4	934	383	549	902	383	517	1296	575	911	902	383	517	1659	766	1274	902	383	517
C-HPY-B06-201-SRC5							1167	479	686	1128	479	646	1530	670	1049	1128	479	646
C-HPY-B06-201-SRC6													1391	567	806	1370	582	785
C-HPY-B06-221-SRC4	1116	452	635	1128	479	646	1557	685	1076	1128	479	646	1997	917	1516	1128	479	646
C-HPY-B06-221-SRC5							1418	582	833	1370	582	785	1858	814	1274	1370	582	785
C-HPY-B06-221-SRC6													1701	698	1000	1644	698	942
C-HPY-B08-221-SRC4	1449	587	834	1452	620	837	2020	889	1405	1452	620	837	2591	1190	1976	1452	620	837
C-HPY-B08-221-SRC5							1830	748	1075	1782	761	1027	2401	1049	1646	1782	761	1027
C-HPY-B08-221-SRC6													2132	850	1180	2248	960	1296
C-HPY-B08-251-SRC4	1943	807	1188	1782	761	1027	2685	1199	1930	1782	761	1027	3428	1591	2673	1782	761	1027
C-HPY-B08-251-SRC5							2416	1000	1464	2248	960	1296	3159	1392	2207	2248	960	1296
C-HPY-B08-251-SRC6													2828	1147	1633	2822	1205	1627
C-HPY-B08-281-SRC4	2445	1016	1493	2248	960	1296	3381	1509	2429	2248	960	1296	4316	2003	3364	2248	960	1296
C-HPY-B08-281-SRC5							3050	1264	1855	2822	1205	1627	3985	1758	2790	2822	1205	1627
C-HPY-B08-281-SRC6													3612	1481	2142	3470	1482	2000
C-HPY-B1-281-SRC4	2821	1157	1670	2714	1158	1563	3917	1736	2766	2714	1158	1563	5013	2315	3862	2714	1158	1563
C-HPY-B1-281-SRC5							3478	1411	2004	3476	1483	2002	4574	1990	3100	3476	1483	2002
C-HPY-B1-281-SRC6													4116	1651	2305	4271	1822	2460
C-HPY-B1-321-SRC4	3752	1556	2278	3476	1483	2002	5191	2315	3717	3476	1483	2002	6629	3075	5155	3476	1483	2002
C-HPY-B1-321-SRC5							4733	1976	2922	4271	1822	2460	6171	2736	4360	4271	1822	2460
C-HPY-B1-321-SRC6													5408	2171	3034	5597	2387	3223
C-HPY-B1-351-SRC4	4442	1822	2631	4271	1822	2460	6167	2734	4356	4271	1822	2460	7892	3645	6081	4271	1822	2460
C-HPY-B1-351-SRC5							5404	2169	3030	5597	2387	3223	7129	3080	4755	5597	2387	3223
C-HPY-B1-351-SRC6													6323	2483	3356	6996	2984	4029

The torque of the springs can be customized to your needs.

Crane® Scotch Yoke Actuators

Output Torque C-HPY Series B Actuator with Spring Return (FC)

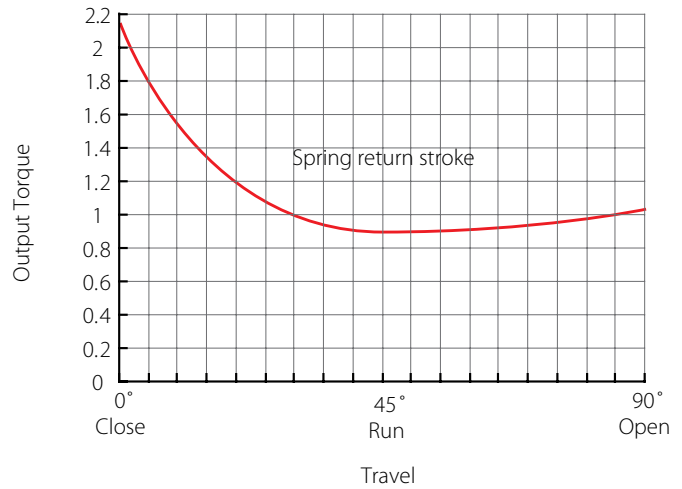
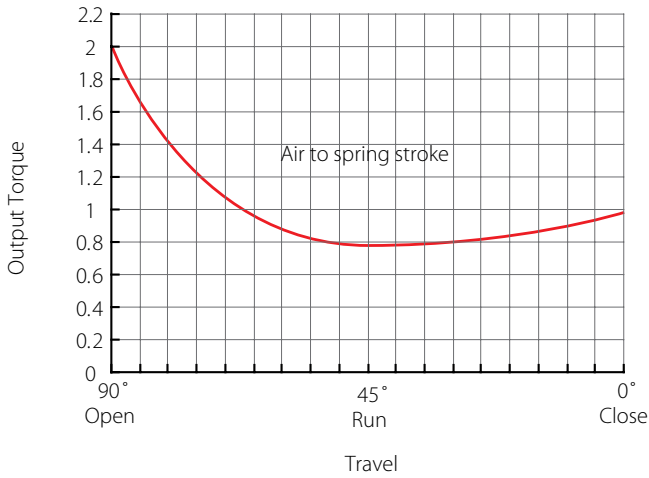
Model	Air to Spring (4 bar)			Spring			Air to Spring (5 bar)			Spring			Air to Spring (6 bar)			Spring		
	0°	45°	90°	90°	45°	0°	0°	45°	90°	90°	45°	0°	0°	45°	90°	90°	45°	0°
C-HPY-B1-401-SRC4	5819	2388	3445	5597	2387	3223	8080	3582	5706	5597	2387	3223	10340	4775	7966	5597	2387	3223
C-HPY-B1-401-SRC5							7274	2985	4307	6996	2984	4029	9534	4178	6567	6996	2984	4029
C-HPY-B1-401-SRC6													8729	3581	5168	8395	3581	4834
C-HPY-B2-401-SRC4	6943	2848	4110	6679	2849	3846	9640	4273	6807	6679	2849	3846	12338	5697	9505	6679	2849	3846
C-HPY-B2-401-SRC5							8603	3505	5005	8481	3617	4883	11301	4929	7703	8481	3617	4883
C-HPY-B2-401-SRC6													10080	4024	5582	10602	4522	6104
C-HPY-B2-451-SRC4	8817	3618	5219	8481	3617	4883	12243	5426	8645	8481	3617	4883	15668	7235	12070	8481	3617	4883
C-HPY-B2-451-SRC5							11022	4521	6524	10602	4522	6104	14447	6330	9949	10602	4522	6104
C-HPY-B2-451-SRC6													13226	5426	7829	12722	5426	7325
C-HPY-B3-451-SRC4	10522	4317	6232	10118	4317	5828	14610	6475	10320	10118	4317	5828	18697	8634	14407	10118	4317	5828
C-HPY-B3-451-SRC5							13186	5420	7847	12591	5372	7252	17273	7579	11934	12591	5372	7252
C-HPY-B3-451-SRC6													15500	6266	8857	15668	6685	9025
C-HPY-B3-501-SRC4	13003	5324	7664	12591	5372	7252	18066	7997	12727	12591	5372	7252	23130	10671	17791	12591	5372	7252
C-HPY-B3-501-SRC5							16293	6684	9650	15668	6685	9025	21357	9358	14714	15668	6685	9025
C-HPY-B3-501-SRC6													19028	7633	10671	19711	8410	11354
C-HPY-B3-561-SRC4	16458	6771	9815	15668	6685	9025	22829	10135	16186	15668	6685	9025	29199	13499	22556	15668	6685	9025
C-HPY-B3-561-SRC5							20500	8410	12143	19711	8410	11354	26870	11774	18513	19711	8410	11354
C-HPY-B3-561-SRC6													24600	10092	14570	23654	10092	13624
C-HPY-B3-631-SRC4	20977	8662	12619	19711	8410	11354	29059	12930	20702	19711	8410	11354	37142	17198	28784	19711	8410	11354
C-HPY-B3-631-SRC5							26788	11248	16759	23654	10092	13624	34871	15516	24842	23654	10092	13624
C-HPY-B3-631-SRC6													31210	12804	18486	30010	12804	17286
C-HPY-B4-631-SRC4	24997	10255	14784	24057	10255	13844	34708	15383	24495	24057	10255	13844	44418	20510	34205	24057	10255	13844
C-HPY-B4-631-SRC5							31246	12819	18481	30071	12819	17306	40956	17946	28191	30071	12819	17306
C-HPY-B4-631-SRC6													35860	14171	19335	38927	16594	22402
C-HPY-B4-701-SRC4	30730	12546	17964	30071	12819	17306	42739	18888	29973	30071	12819	17306	54748	25229	41982	30071	12819	17306
C-HPY-B4-701-SRC5							37643	15113	21118	38927	16594	22402	49651	21454	33126	38927	16594	22402
C-HPY-B4-701-SRC6													44052	17306	23396	48657	20742	28002
C-HPY-B4-801-SRC4	40447	16594	23922	38927	16594	22402	56160	24891	39635	38927	16594	22402	71872	33188	55347	38927	16594	22402
C-HPY-B4-801-SRC5							50560	20743	29904	48657	20742	28002	66272	29040	45616	48657	20742	28002
C-HPY-B4-801-SRC6													60671	24891	35884	58390	24891	33603
C-HPY-B5-801-SRC4	48531	19910	28703	46707	19910	26879	67384	29865	47556	46707	19910	26879	86236	39820	66408	46707	19910	26879
C-HPY-B5-801-SRC5							60189	24536	35054	59209	25240	34074	79041	34491	53906	59209	25240	34074
C-HPY-B5-801-SRC6													70523	28181	39104	74011	31550	42592
C-HPY-B5-901-SRC4	61522	25240	36387	59209	25240	34074	85421	37860	60285	59209	25240	34074	109319	50479	84184	59209	25240	34074
C-HPY-B5-901-SRC5							76902	31550	45483	74011	31550	42592	100801	44169	69382	74011	31550	42592
C-HPY-B5-901-SRC6													92283	37860	54580	88813	37860	51110
C-HPY-B6-801-SRC4	65176	26739	38729	62545	26739	36098	90495	40108	64047	62545	26739	36098	115813	53478	89365	62545	26739	36098
C-HPY-B6-801-SRC5							80809	32934	47266	79327	33913	45783	106128	46304	72584	79327	33913	45783
C-HPY-B6-801-SRC6													94682	37825	52752	99158	42392	57229
C-HPY-B6-901-SRC4	82663	33913	49120	79327	33913	45783	114775	50870	81231	79327	33913	45783	146887	67826	113343	79327	33913	45783
C-HPY-B6-901-SRC5							103329	42392	61400	99158	42392	57229	135441	59348	93511	99158	42392	57229
C-HPY-B6-901-SRC6													121910	49325	70067	122603	52414	70759
C-HPY-B6-1001-SRC4	101587	41472	59657	99158	42392	57229	141291	62437	99361	99158	42392	57229	180995	83403	139065	99158	42392	57229
C-HPY-B6-1001-SRC5							127760	52414	75917	122603	52414	70759	167464	73380	115621	122603	52414	70759
C-HPY-B6-1001-SRC6													153312	62897	91100	147123	62897	84911

The torque of the springs can be customized to your needs.



Crane® Scotch Yoke Actuators

Output Torque C-HPY Series B Actuator with Spring Return (FO)



Model	Air to Spring (4 bar)			Spring			Air to Spring (5 bar)			Spring			Air to Spring (6 bar)			Spring		
	90°	45°	0°	0°	45°	90°	90°	45°	9°	0°	45°	90°	90°	45°	0°	0°	45°	90°
C-HPY-B04-125-SRO4	269	105	125	292	110	148	373	160	230	292	110	148	478	213	334	292	110	148
C-HPY-B04-125-SRO5							336	132	160	362	137	186	440	186	264	362	137	186
C-HPY-B04-125-SRO6													404	158	188	438	165	222
C-HPY-B05-160-SRO4	511	199	241	549	207	279	710	300	440	549	207	279	907	401	638	549	207	279
C-HPY-B05-160-SRO5							640	248	306	683	258	349	838	349	504	683	258	349
C-HPY-B05-160-SRO6													769	298	365	822	310	418
C-HPY-B06-201-SRO4	934	383	549	902	383	517	1296	575	911	902	383	517	1659	766	1274	902	383	517
C-HPY-B06-201-SRO5							1167	479	686	1128	479	646	1530	670	1049	1128	479	646
C-HPY-B06-201-SRO6													1391	567	806	1370	582	785
C-HPY-B06-221-SRO4	1116	452	635	1128	479	646	1557	685	1076	1128	479	646	1997	917	1516	1128	479	646
C-HPY-B06-221-SRO5							1418	582	833	1370	582	785	1858	814	1274	1370	582	785
C-HPY-B06-221-SRO6													1701	698	1000	1644	698	942
C-HPY-B08-221-SRO4	1449	587	834	1452	620	837	2020	889	1405	1452	620	837	2591	1190	1976	1452	620	837
C-HPY-B08-221-SRO5							1830	748	1075	1782	761	1027	2401	1049	1646	1782	761	1027
C-HPY-B08-221-SRO6													2132	850	1180	2248	960	1296
C-HPY-B08-251-SRO4	1943	807	1188	1782	761	1027	2685	1199	1930	1782	761	1027	3428	1591	2673	1782	761	1027
C-HPY-B08-251-SRO5							2416	1000	1464	2248	960	1296	3159	1392	2207	2248	960	1296
C-HPY-B08-251-SRO6													2828	1147	1633	2822	1205	1627
C-HPY-B08-281-SRO4	2445	1016	1493	2248	960	1296	3381	1509	2429	2248	960	1296	4316	2003	3364	2248	960	1296
C-HPY-B08-281-SRO5							3050	1264	1855	2822	1205	1627	3985	1758	2790	2822	1205	1627
C-HPY-B08-281-SRO6													3612	1481	2142	3470	1482	2000
C-HPY-B1-281-SRO4	2821	1157	1670	2714	1158	1563	3917	1736	2766	2714	1158	1563	5013	2315	3862	2714	1158	1563
C-HPY-B1-281-SRO5							3478	1411	2004	3476	1483	2002	4574	1990	3100	3476	1483	2002
C-HPY-B1-281-SRO6													4116	1651	2305	4271	1822	2460
C-HPY-B1-321-SRO4	3752	1556	2278	3476	1483	2002	5191	2315	3717	3476	1483	2002	6629	3075	5155	3476	1483	2002
C-HPY-B1-321-SRO5							4733	1976	2922	4271	1822	2460	6171	2736	4360	4271	1822	2460
C-HPY-B1-321-SRO6													5408	2171	3034	5597	2387	3223
C-HPY-B1-351-SRO4	4442	1822	2631	4271	1822	2460	6167	2734	4356	4271	1822	2460	7892	3645	6081	4271	1822	2460
C-HPY-B1-351-SRO5							5404	2169	3030	5597	2387	3223	7129	3080	4755	5597	2387	3223
C-HPY-B1-351-SRO6													6323	2483	3356	6996	2984	4029

The torque of the springs can be customized to your needs.

Crane® Scotch Yoke Actuators

Output Torque C-HPY Series B Actuator with Spring Return (FO)

Model	Air to Spring (4 bar)			Spring			Air to Spring (5 bar)			Spring			Air to Spring (6 bar)			Spring		
	90°	45°	0°	0°	45°	90°	90°	45°	0°	0°	45°	90°	90°	45°	0°	0°	45°	90°
C-HPY-B1-401-SRO4	5819	2388	3445	5597	2387	3223	8080	3582	5706	5597	2387	3223	10340	4775	7966	5597	2387	3223
C-HPY-B1-401-SRO5							7274	2985	4307	6996	2984	4029	9534	4178	6567	6996	2984	4029
C-HPY-B1-401-SRO6													8729	3581	5168	8395	3581	4834
C-HPY-B2-401-SRO4	6943	2848	4110	6679	2849	3846	9640	4273	6807	6679	2849	3846	12338	5697	9505	6679	2849	3846
C-HPY-B2-401-SRO5							8603	3505	5005	8481	3617	4883	11301	4929	7703	8481	3617	4883
C-HPY-B2-401-SRO6													10080	4024	5582	10602	4522	6104
C-HPY-B2-451-SRO4	8817	3618	5219	8481	3617	4883	12243	5426	8645	8481	3617	4883	15668	7235	12070	8481	3617	4883
C-HPY-B2-451-SRO5							11022	4521	6524	10602	4522	6104	14447	6330	9949	10602	4522	6104
C-HPY-B2-451-SRO6													13226	5426	7829	12722	5426	7325
C-HPY-B3-451-SRO4	10522	4317	6232	10118	4317	5828	14610	6475	10320	10118	4317	5828	18697	8634	14407	10118	4317	5828
C-HPY-B3-451-SRO5							13186	5420	7847	12591	5372	7252	17273	7579	11934	12591	5372	7252
C-HPY-B3-451-SRO6													15500	6266	8857	15668	6685	9025
C-HPY-B3-501-SRO4	13003	5324	7664	12591	5372	7252	18066	7997	12727	12591	5372	7252	23130	10671	17791	12591	5372	7252
C-HPY-B3-501-SRO5							16293	6684	9650	15668	6685	9025	21357	9358	14714	15668	6685	9025
C-HPY-B3-501-SRO6													19028	7633	10671	19711	8410	11354
C-HPY-B3-561-SRO4	16458	6771	9815	15668	6685	9025	22829	10135	16186	15668	6685	9025	29199	13499	22556	15668	6685	9025
C-HPY-B3-561-SRO5							20500	8410	12143	19711	8410	11354	26870	11774	18513	19711	8410	11354
C-HPY-B3-561-SRO6													24600	10092	14570	23654	10092	13624
C-HPY-B3-631-SRO4	20977	8662	12619	19711	8410	11354	29059	12930	20702	19711	8410	11354	37142	17198	28784	19711	8410	11354
C-HPY-B3-631-SRO5							26788	11248	16759	23654	10092	13264	34871	15516	24842	23654	10092	13624
C-HPY-B3-631-SRO6													31210	12804	18486	30010	12804	17286
C-HPY-B4-631-SRO4	24997	10255	14784	24057	10255	13844	34708	15383	24495	24057	10255	13844	44418	20510	34205	24057	10255	13844
C-HPY-B4-631-SRO5							31246	12819	18481	30071	12819	17306	40956	17946	28191	30071	12819	17306
C-HPY-B4-631-SRO6													35860	14171	19335	38927	16594	22402
C-HPY-B4-701-SRO4	30730	12546	17964	30071	12819	17306	42739	18888	29973	30071	12819	17306	54748	25229	41982	30071	12819	17306
C-HPY-B4-701-SRO5							37643	15113	21118	38927	16594	22402	49651	21454	33126	38927	16594	22402
C-HPY-B4-701-SRO6													44052	17306	23396	48657	20742	28002
C-HPY-B4-801-SRO4	40447	16594	23922	38927	16594	22402	56160	24891	39635	38927	16594	22402	71872	33188	55347	38927	16594	22402
C-HPY-B4-801-SRO5							50560	20743	29904	48657	20742	28002	66272	29040	45616	48657	20742	28002
C-HPY-B4-801-SRO6													60671	24891	35884	58390	24891	33603
C-HPY-B5-801-SRO4	48531	19910	28703	46707	19910	26879	67384	29865	47556	46707	19910	26879	86236	39820	66408	46707	19910	26879
C-HPY-B5-801-SRO5							60189	24536	35054	59209	25240	34074	79041	34491	53906	59209	25240	34074
C-HPY-B5-801-SRO6													70523	28181	39104	74011	31550	42592
C-HPY-B5-901-SRO4	61522	25240	36387	59209	25240	34074	85421	37860	60285	59209	25240	34074	109319	50479	84184	59209	25240	34074
C-HPY-B5-901-SRO5							76902	31550	45483	74011	31550	42592	100801	44169	69382	74011	31550	42592
C-HPY-B5-901-SRO6													92283	37860	54580	88813	37860	51110
C-HPY-B6-801-SRO4	65176	26739	38729	62545	26739	36098	90495	40108	64047	62545	26739	36098	115813	53478	89365	62545	26739	36098
C-HPY-B6-801-SRO5							80809	32934	47266	79327	33913	45783	106128	46304	72584	79327	33913	45783
C-HPY-B6-801-SRO6													94682	37825	52752	99158	42392	57229
C-HPY-B6-901-SRO4	82663	33913	49120	79327	33913	45783	114775	50870	81231	79327	33913	45783	146887	67826	113343	79327	33913	45783
C-HPY-B6-901-SRO5							103329	42392	61400	99158	42392	57229	135441	59348	93511	99158	42392	57229
C-HPY-B6-901-SRO6													121910	49325	70067	122603	52414	70759
C-HPY-B6-1001-SRO4	101587	41472	59657	99158	42392	57229	141291	62437	99361	99158	42392	57229	180995	83403	139065	99158	42392	57229
C-HPY-B6-1001-SRO5							127760	52414	75917	122603	52414	70759	167464	73380	115621	122603	52414	70759
C-HPY-B6-1001-SRO6													153312	62897	91100	147123	62897	84911

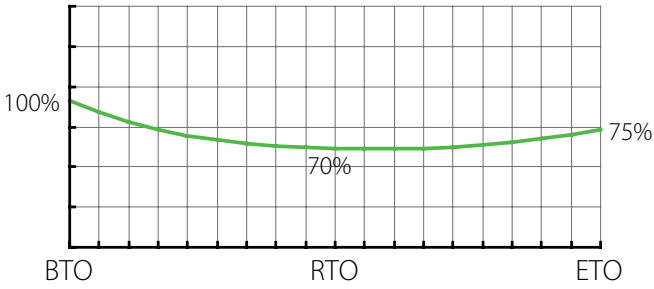
The torque of the springs can be customized to your needs.

Crane® Scotch Yoke Actuators Sizing

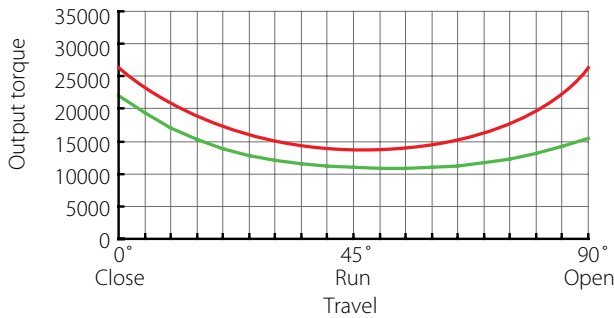
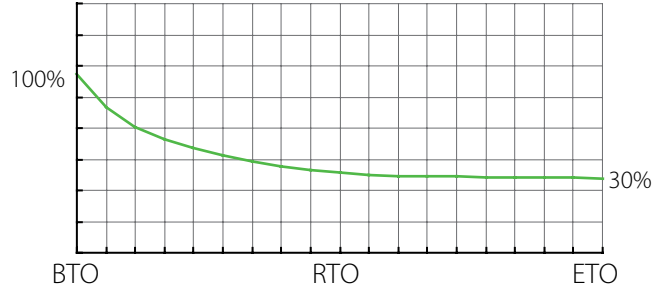
Sizing

During selecting the actuators, we can choose the more reasonable and more economical actuators, if we know the different torque needed by the valve working at opening and operating.

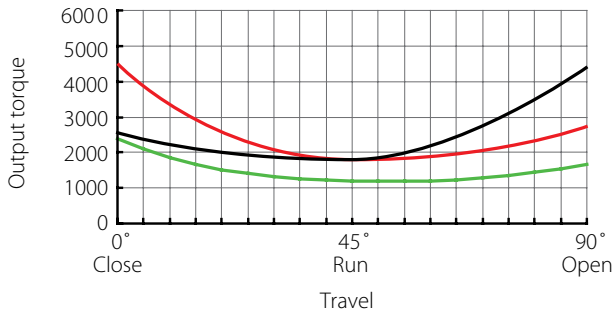
Ball valve operating curve



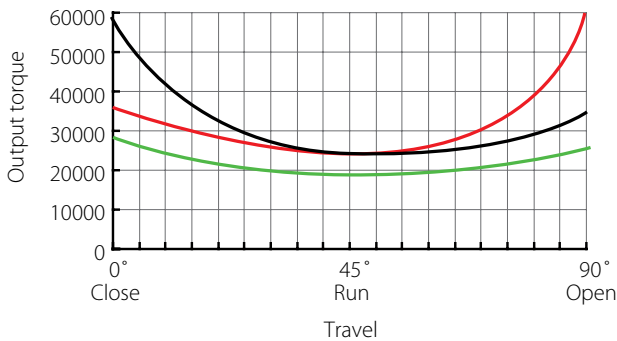
Butterfly valve operating curve



BTO of the ball valve is: 22000Nm
 Air Failure Position: Lock
 Air Supply: 4 Bar
 Sizing: HPY-B3-561-DA



BTO of the ball valve is: 2400Nm
 Air Failure Position: Close
 Air Supply: 4 Bar
 Sizing: HPY-B1-351-SRC4

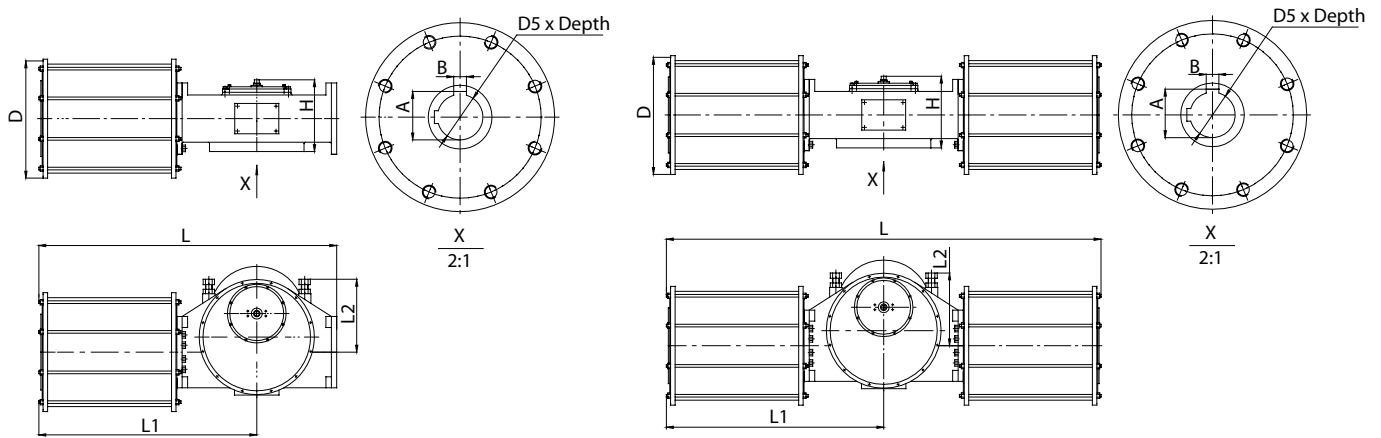


BTO of the ball valve is: 29000Nm
 Air Failure Position: Open
 Air Supply: 4 Bar
 Sizing: HPY-B5-901-SRO4

- Spring return operating curve
- Air to spring operating curve
- Ball valve (butterfly valve) operating curve

Crane® Scotch Yoke Actuators

Dimension of C-HPY Series B Double Acting Actuator

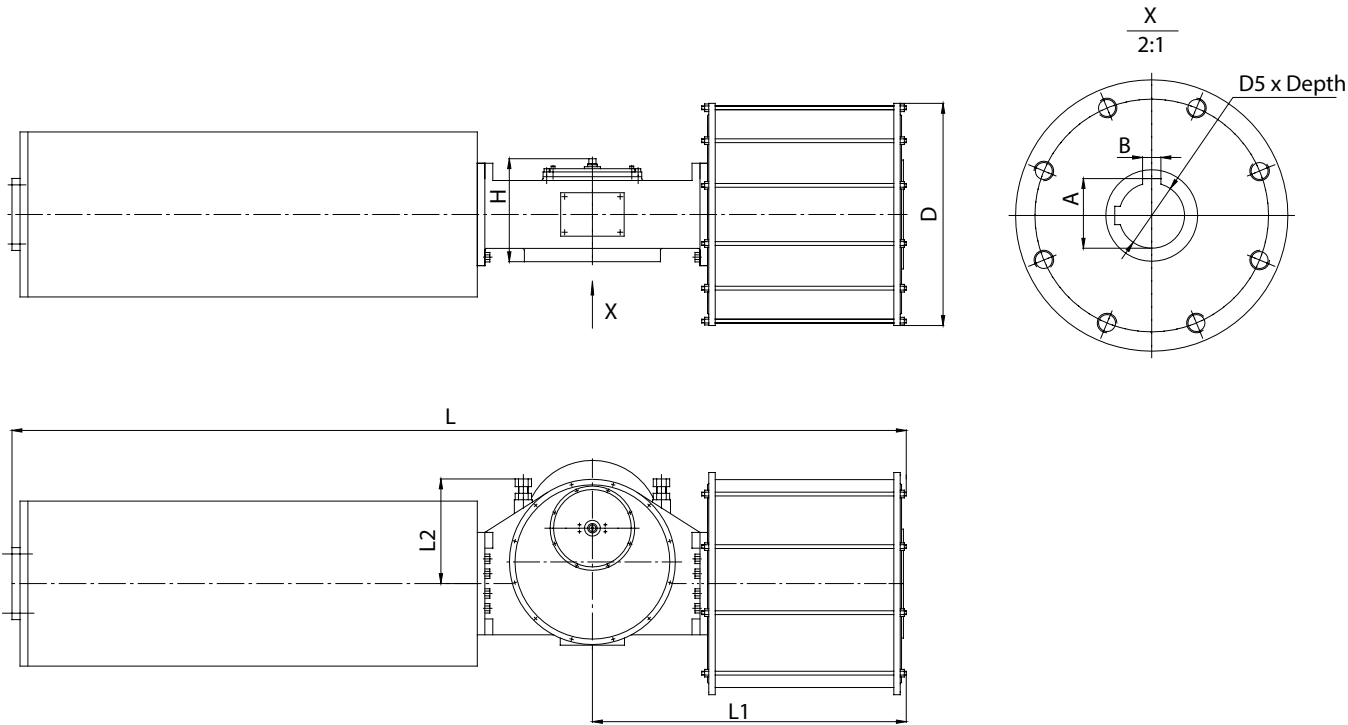


Model	L	L1	L2	H	D	D5×Depth	A	B	Connection Flange ISO 5211	Air Connection	Weight	Volumne
	mm										kg	L
C-HPY-B06-201-DA	675	505	180	212	225*225	Ø48*65	51.8	14	F14	3/8"G(NPT)	108	6
C-HPY-B08-221-DA	815	605	200	237	250*250	Ø60*100	64.4	18	F16	1/2"G(NPT)	132	9
C-HPY-B08-251-DA	815	605	200	237	280*280	Ø60*100	64.4	18	F16	1/2"G(NPT)	144	11
C-HPY-B1-281-DA	925	680	225	246	310*310	Ø72*120	76.9	20	F25	1/2"G(NPT)	180	17
C-HPY-B1-321-DA	905	660	225	246	Ø395	Ø72*120	76.9	20	F25	1/2"G(NPT)	204	22
C-HPY-B1-351-DA	905	660	225	246	Ø430	Ø72*120	76.9	20	F25	3/4"G(NPT)	216	-
C-HPY-B2-351-DA	1055	775	285	269	Ø430	Ø98*150	106.4	28	F30	3/4"G(NPT)	276	31
C-HPY-B2-401-DA	1055	775	285	269	Ø500	Ø98*150	106.4	28	F30	1"G(NPT)	300	41
C-HPY-B2-451-DA	1055	775	285	269	Ø550	Ø98*150	106.4	28	F30	1"G(NPT)	348	52
C-HPY-B3-451-DA	1250	915	330	310	Ø550	Ø160*200	169.4	40	F35	1"G(NPT)	504	62
C-HPY-B3-501-DA	1250	915	330	310	Ø600	Ø160*200	169.4	40	F35	1 1/4"G(NPT)	552	76
C-HPY-B3-561-DA	1250	915	330	310	Ø660	Ø160*200	169.4	40	F35	1 1/4"G(NPT)	600	96
C-HPY-B3-601-DA	1250	915	330	310	Ø700	Ø160*200	169.4	40	F35	1 1/4"G(NPT)	708	-
C-HPY-B4-601-DA	1450	1050	412	340	Ø700	Ø180*220	190.4	45	F40	1 1/4"G(NPT)	948	132
C-HPY-B4-631-DA	1450	1050	412	340	Ø730	Ø180*220	190.4	45	F40	1 1/2"G(NPT)	996	146
C-HPY-B4-701-DA	1450	1050	412	340	Ø810	Ø180*220	190.4	45	F40	1 1/2"G(NPT)	1218	180
C-HPY-B4-801-DA	1450	1050	412	340	Ø910	Ø180*220	190.4	45	F40	1 1/2"G(NPT)	1404	282
C-HPY-B4-502-DA	2120	1050	412	340	Ø600	Ø180*220	190.4	45	F40	1 1/4"G(NPT)	666	-
C-HPY-B4-562-DA	2120	1050	412	340	Ø660	Ø180*220	190.4	45	F40	1 1/4"G(NPT)	1260	-
C-HPY-B5-701-DA	1690	1230	486	420	Ø810	Ø220*250	231.4	50	F48/F40	1 1/2"G(NPT)	1584	-
C-HPY-B5-801-DA	1690	1230	486	420	Ø910	Ø220*250	231.4	50	F48/F40	1 1/2"G(NPT)	1788	282
C-HPY-B5-901-DA	1690	1230	486	420	Ø1010	Ø220*250	231.4	50	F48/F40	2"G(NPT)	2040	357
C-HPY-B5-1001-DA	1690	1230	486	420	Ø1110	Ø220*250	231.4	50	F48/F40	2"G(NPT)	2316	-
C-HPY-B5-562-DA	2456	1230	486	420	Ø660	Ø220*250	231.4	50	F48/F40	1 1/4"G(NPT)	1620	277
C-HPY-B5-602-DA	2456	1230	486	420	Ø700	Ø220*250	231.4	50	F48/F40	1 1/4"G(NPT)	1860	317
C-HPY-B5-632-DA	2456	1230	486	420	Ø730	Ø220*250	231.4	50	F48/F40	1 1/2"G(NPT)	1956	350
C-HPY-B5-702-DA	2456	1230	486	420	Ø810	Ø220*250	231.4	50	F48/F40	1 1/2"G(NPT)	2460	-
C-HPY-B6-901-DA	2145	1555	658	490	Ø1010	Ø280*320	292.4	63	F60/F48	2"G(NPT)	2886	481
C-HPY-B6-1001-DA	2145	1555	658	490	Ø1110	Ø280*320	292.4	63	F60/F48	2"G(NPT)	3120	593
C-HPY-B6-702-DA	3100	1555	658	490	Ø810	Ø280*320	292.4	63	F60/F48	1 1/2"G(NPT)	3508	582
C-HPY-B6-802-DA	3100	1555	658	490	Ø910	Ø280*320	292.4	63	F60/F48	1 1/2"G(NPT)	3696	760
C-HPY-B6-902-DA	3100	1555	658	490	Ø1010	Ø280*320	292.4	63	F60/F48	2"G(NPT)	4380	-

The torque of the springs can be customized to your needs.

Crane® Scotch Yoke Actuators

Dimension of C-HPY Series B Spring Return Actuator (FC FO)



Model	L	L1	L2	H	D	D5xDepth	A	B	Connection Flange ISO 5211	Air Connection	Weight	Volumne
	mm										kg	L
C-HPY-B06-201-SRO4	1304	505	180	214	Ø225	Ø48x65	51.8	14	F14	3/8"G(NPT)	164	5
C-HPY-B06-201-SRO5	1354	505	180	214	Ø225	Ø48x65	51.8	14	F14	3/8"G(NPT)	172	5
C-HPY-B06-201-SRO6	1374	505	180	214	Ø225	Ø48x65	51.8	14	F14	3/8"G(NPT)	178	5
C-HPY-B06-221-SRO4	1354	515	180	214	Ø250	Ø48x65	51.8	14	F14	1/2"G(NPT)	171	7
C-HPY-B06-221-SRO5	1374	515	180	214	Ø250	Ø48x65	51.8	14	F14	1/2"G(NPT)	177	7
C-HPY-B06-221-SRO6	1324	515	180	214	Ø250	Ø48x65	51.8	14	F14	1/2"G(NPT)	174	7
C-HPY-B08-221-SRO4	1458	605	200	238	Ø250	Ø60x100	64.4	18	F16	1/2"G(NPT)	-	-
C-HPY-B08-221-SRO5	1488	605	200	238	Ø250	Ø60x100	64.4	18	F16	1/2"G(NPT)	-	-
C-HPY-B08-221-SRO6	1528	605	200	238	Ø250	Ø60x100	64.4	18	F16	1/2"G(NPT)	-	-
C-HPY-B08-251-SRO4	1488	605	200	238	Ø280	Ø60x100	64.4	18	F16	1/2"G(NPT)	249	11
C-HPY-B08-251-SRO5	1528	605	200	238	Ø280	Ø60x100	64.4	18	F16	1/2"G(NPT)	270	11
C-HPY-B08-251-SRO6	1528	605	200	238	Ø280	Ø60x100	64.4	18	F16	1/2"G(NPT)	294	11
C-HPY-B08-281-SRO4	1528	605	200	238	Ø310	Ø60x100	64.4	18	F16	1/2"G(NPT)	282	14
C-HPY-B08-281-SRO5	1528	605	200	238	Ø310	Ø60x100	64.4	18	F16	1/2"G(NPT)	306	14
C-HPY-B08-281-SRO6	1558	605	200	238	Ø310	Ø60x100	64.4	18	F16	1/2"G(NPT)	318	14
C-HPY-B1-281-SRO4	1660	680	225	245	Ø310	Ø72x120	76.9	20	F25	1/2"G(NPT)	300	16
C-HPY-B1-281-SRO5	1690	680	225	245	Ø310	Ø72x120	76.9	20	F25	1/2"G(NPT)	312	16
C-HPY-B1-281-SRO6	1710	680	225	245	Ø310	Ø72x120	76.9	20	F25	1/2"G(NPT)	324	16
C-HPY-B1-321-SRO4	1670	660	225	245	Ø395	Ø72x120	76.9	20	F25	1/2"G(NPT)	336	21
C-HPY-B1-321-SRO5	1690	660	225	245	Ø395	Ø72x120	76.9	20	F25	1/2"G(NPT)	348	21
C-HPY-B1-321-SRO6	1710	660	225	245	Ø395	Ø72x120	76.9	20	F25	1/2"G(NPT)	360	21
C-HPY-B1-351-SRO4	1690	660	225	245	Ø430	Ø72x120	76.9	20	F25	3/4"G(NPT)	360	26
C-HPY-B1-351-SRO5	1710	660	225	245	Ø430	Ø72x120	76.9	20	F25	3/4"G(NPT)	372	26
C-HPY-B1-351-SRO6	1730	660	225	245	Ø430	Ø72x120	76.9	20	F25	3/4"G(NPT)	396	26

The torque of the springs can be customized to your needs.

Crane® Scotch Yoke Actuators

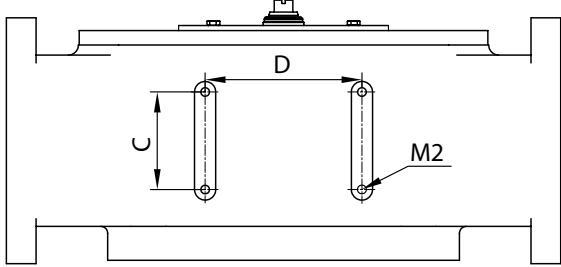
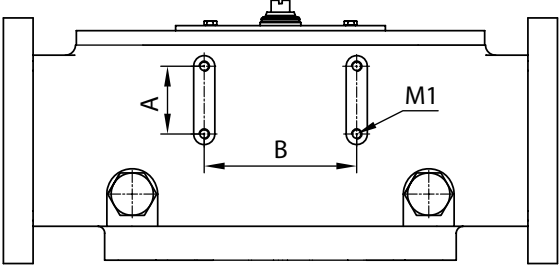
Dimension of C-HPY Series B Spring Return Actuator (FC FO)

Modell	L	L1	L2	H	D	D5×Depth	A	B	Connection Flange ISO 5211	Air Connection	Weight	Volumne
	mm										kg	L
C-HPY-B1-401-SRO4	1710	660	225	245	Ø500	Ø72x120	76.9	20	F25	1"G(NPT)	396	34
C-HPY-B1-401-SRO5	1730	660	225	245	Ø500	Ø72x120	76.9	20	F25	1"G(NPT)	420	34
C-HPY-B1-401-SRO6	1770	660	225	245	Ø500	Ø72x120	76.9	20	F25	1"G(NPT)	462	34
C-HPY-B2-401-SRO4	1915	775	285	269	Ø500	Ø98x150	106.4	28	F30	1"G(NPT)	516	40
C-HPY-B2-401-SRO5	1965	775	285	269	Ø500	Ø98x150	106.4	28	F30	1"G(NPT)	540	40
C-HPY-B2-401-SRO6	2025	775	285	269	Ø500	Ø98x150	106.4	28	F30	1"G(NPT)	660	40
C-HPY-B2-451-SRO4	1965	775	285	269	Ø550	Ø98x150	106.4	28	F30	1"G(NPT)	588	51
C-HPY-B2-451-SRO5	2025	775	285	269	Ø550	Ø98x150	106.4	28	F30	1"G(NPT)	708	51
C-HPY-B2-451-SRO6	2045	775	285	269	Ø550	Ø98x150	106.4	28	F30	1"G(NPT)	756	51
C-HPY-B3-451-SRO4	2223	915	345	310	Ø550	Ø160x200	169.4	40	F35	1"G(NPT)	840	61
C-HPY-B3-451-SRO5	2243	915	345	310	Ø550	Ø160x200	169.4	40	F35	1"G(NPT)	864	61
C-HPY-B3-451-SRO6	2263	915	345	310	Ø550	Ø160x200	169.4	40	F35	1"G(NPT)	924	61
C-HPY-B3-501-SRO4	2243	915	345	310	Ø600	Ø160x200	169.4	40	F35	1 1/4"G(NPT)	912	75
C-HPY-B3-501-SRO5	2263	915	345	310	Ø600	Ø160x200	169.4	40	F35	1 1/4"G(NPT)	972	75
C-HPY-B3-501-SRO6	2323	915	345	310	Ø600	Ø160x200	169.4	40	F35	1 1/4"G(NPT)	1060	75
C-HPY-B3-561-SRO4	2263	915	345	310	Ø660	Ø160x200	169.4	40	F35	1 1/4"G(NPT)	1020	95
C-HPY-B3-561-SRO5	2323	915	345	310	Ø660	Ø160x200	169.4	40	F35	1 1/4"G(NPT)	1116	95
C-HPY-B3-561-SRO6	2383	915	345	310	Ø660	Ø160x200	169.4	40	F35	1 1/4"G(NPT)	1236	95
C-HPY-B3-631-SRO4	2383	915	345	310	Ø730	Ø160x200	169.4	40	F35	1 1/2"G(NPT)	1392	120
C-HPY-B3-631-SRO5	2383	915	345	310	Ø730	Ø160x200	169.4	40	F35	1 1/2"G(NPT)	1392	120
C-HPY-B3-631-SRO6	2423	915	345	310	Ø730	Ø160x200	169.4	40	F35	1 1/2"G(NPT)	1560	120
C-HPY-B4-631-SRO4	2784	1050	412	340	Ø730	Ø180x220	190.4	45	F40	1 1/2"G(NPT)	1812	144
C-HPY-B4-631-SRO5	2784	1050	412	340	Ø730	Ø180x220	190.4	45	F40	1 1/2"G(NPT)	1836	144
C-HPY-B4-631-SRO6	2924	1050	412	340	Ø730	Ø180x220	190.4	45	F40	1 1/2"G(NPT)	2196	144
C-HPY-B4-701-SRO4	2784	1050	412	340	Ø810	Ø180x220	190.4	45	F40	1 1/2"G(NPT)	2058	178
C-HPY-B4-701-SRO5	2924	1050	412	340	Ø810	Ø180x220	190.4	45	F40	1 1/2"G(NPT)	2418	178
C-HPY-B4-701-SRO6	3014	1050	412	340	Ø810	Ø180x220	190.4	45	F40	1 1/2"G(NPT)	2538	178
C-HPY-B4-801-SRO4	2924	1050	412	340	Ø910	Ø180x220	190.4	45	F40	1 1/2"G(NPT)	2604	233
C-HPY-B4-801-SRO5	3014	1050	412	340	Ø910	Ø180x220	190.4	45	F40	1 1/2"G(NPT)	2724	233
C-HPY-B4-801-SRO6	3100	1050	412	340	Ø910	Ø180x220	190.4	45	F40	1 1/2"G(NPT)	2964	233
C-HPY-B5-801-SRO4	3273	1230	486	420	Ø910	Ø220x250	231.4	50	F48/F40	1 1/2"G(NPT)	2781	279
C-HPY-B5-801-SRO5	3333	1230	486	420	Ø910	Ø220x250	231.4	50	F48/F40	1 1/2"G(NPT)	2966	279
C-HPY-B5-801-SRO6	3453	1230	486	420	Ø910	Ø220x250	231.4	50	F48/F40	1 1/2"G(NPT)	3444	279
C-HPY-B5-901-SRO4	3333	1230	486	420	Ø1010	Ø220x250	231.4	50	F48/F40	2"G(NPT)	3218	354
C-HPY-B5-901-SRO5	3453	1230	486	420	Ø1010	Ø220x250	231.4	50	F48/F40	2"G(NPT)	3696	354
C-HPY-B5-901-SRO6	3613	1230	486	420	Ø1010	Ø220x250	231.4	50	F48/F40	2"G(NPT)	4047	354
C-HPY-B6-801-SRO4	4070	1555	658	490	Ø910	Ø280x320	292.4	63	F60	1 1/2"G(NPT)	3744	376
C-HPY-B6-801-SRO5	4200	1555	658	490	Ø910	Ø280x320	292.4	63	F60	1 1/2"G(NPT)	4104	376
C-HPY-B6-801-SRO6	4260	1555	658	490	Ø910	Ø280x320	292.4	63	F60	1 1/2"G(NPT)	4224	376
C-HPY-B6-901-SRO4	4200	1555	658	490	Ø1010	Ø280x320	292.4	63	F60	2"G(NPT)	4446	477
C-HPY-B6-901-SRO5	4260	1555	658	490	Ø1010	Ø280x320	292.4	63	F60	2"G(NPT)	4566	477
C-HPY-B6-901-SRO6	4320	1555	658	490	Ø1010	Ø280x320	292.4	63	F60	2"G(NPT)	4926	477
C-HPY-B6-1001-SRO4	4260	1555	658	490	Ø1110	Ø280x320	292.4	63	F60/F48	2"G(NPT)	4800	590
C-HPY-B6-1001-SRO5	4320	1555	658	490	Ø1110	Ø280x320	292.4	63	F60/F48	2"G(NPT)	5160	590
C-HPY-B6-1001-SRO6	4380	1555	658	490	Ø1110	Ø280x320	292.4	63	F60/F48	2"G(NPT)	5340	590

The torque of the springs can be customized to your needs.

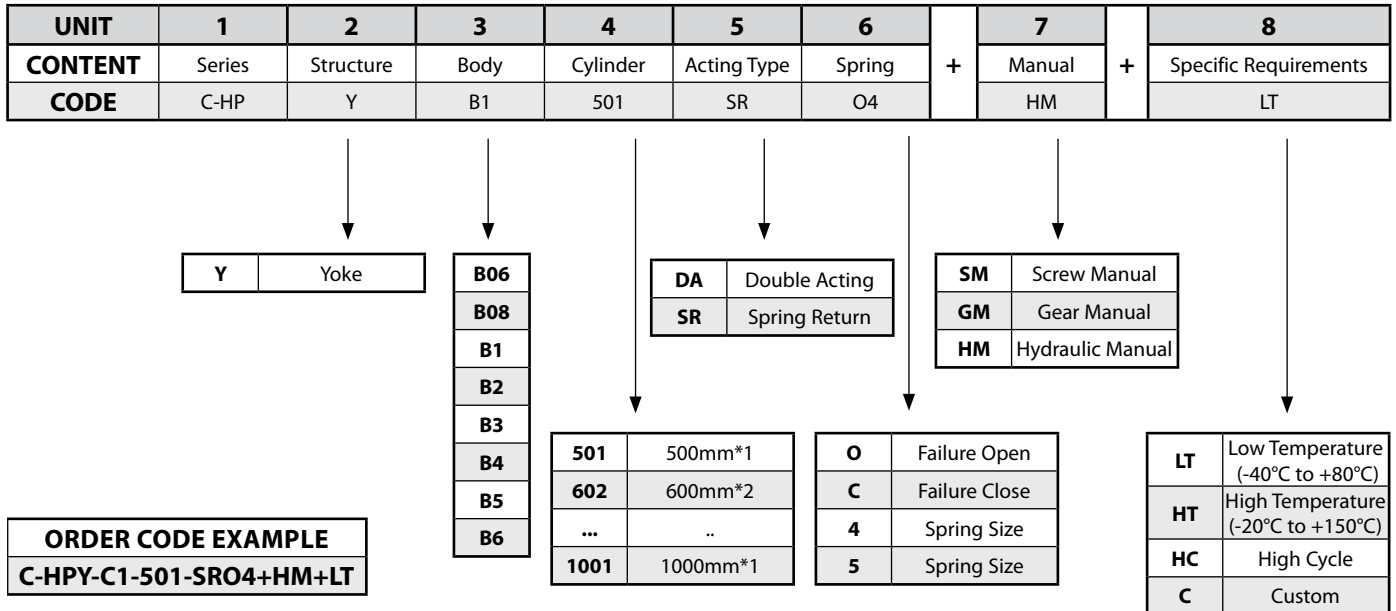
Crane® Scotch Yoke Actuators

Body Connecting Dimensions



Body No.	AxB	CxD	M1 Screwed Hole	M2 Screwed Hole
B06	50x90	80x125	4-M12 deep 18	4-M12 deep 18
B08	50x125	80x125	4-M12 deep 18	4-M12 deep 18
B1	50x125	80x125	4-M12 deep 18	4-M12 deep 18
B2	80x125	95x155	4-M12 deep 18	4-M12 deep 18
B3	80x180	115x185	4-M12 deep 18	4-M12 deep 18
B4	80x220	115x230	4-M12 deep 18	4-M12 deep 18
B5	80x220	140x310	4-M12 deep 18	4-M12 deep 18
B6	100x220	180x400	4-M12 deep 18	4-M12 deep 18

Crane® Scotch Yoke Actuators Coding - How to Order



For further details please contact your local Crane ChemPharma & Energy Sales Representative.

Approvals

Crane® Scotch Yoke actuators are available with the following approvals (depending on the product selected):

- Safety Integrity Level: IEC 61508-1-2 and 4-7:2010 – SIL 2 or SIL3 capable
- ATEX Classification: 2014/34/EU, Annex VIII - II 2GD
- Pressure Equipment Directive: PED 2014/68/EU
- Machinery Directive: 2006/42/EC
- Fatigue Life Test for both single acting and double acting , JB/T 8864-2004 Specification of pneumatic actuators for valves and proxy requirements
- BS EN 15174-3 : 2009 Industrial Valve Actuators Part 3, Pneumatic part turn actuators for industrial valves
- According to GB/T 4208-2017/IEC 60529-2013, Confirms to IP 68



CRANE®

Crane ChemPharma Energy

Crane ChemPharma Energy
4526 Research Forest Drive, Suite 400
The Woodlands
Texas 77381, U.S.A.
Tel.: +1 936 271 6500
Fax: +1 936 271 6510

Friedrich Krombach GmbH
Armaturenwerke
Marburger Str. 364
57223 Kreuztal, Germany
Tel: +49 2732 520 00
Fax: +49 2732 520 100

www.cranecpe.com

brands you trust.



COMPAC-NOZ®

CRANE®

DEPA®

ELRO® DUO-CHEK®



FK®
KROMBACH
ARMATUREN

NOZ-CHEK®



RESISTOFLEX®



Saunders®
the science inside

STOCKHAM®

triangle®

UNI-CHEK®

w.ta.®

XOMOX®

CPE-CRANE-SCOTCH_YOKE-TD-EN-A4-2019_11_15

Crane Co., and its subsidiaries cannot accept responsibility for possible errors in catalogues, brochures, other printed materials, and website information. Crane Co. reserves the right to alter its products without notice, including products already on order provided that such alteration can be made without changes being necessary in specifications already agreed. All trademarks in this material are property of the Crane Co. or its subsidiaries. The Crane and Crane brands logotype, in alphabetical order, (ALOYCO®, CENTER LINE®, COMPAC-NOZ®, CRANE®, DEPA®, DUO-CHEK®, ELRO®, FLOWSEAL®, JENKINS®, KROMBACH®, NOZ-CHEK®, PACIFIC VALVES®, RESISTOFLEX®, REVO®, SAUNDERS®, STOCKHAM®, TRIANGLE®, UNI-CHEK®, WTA®, and XOMOX®) are registered trademarks of Crane Co. All rights reserved.