



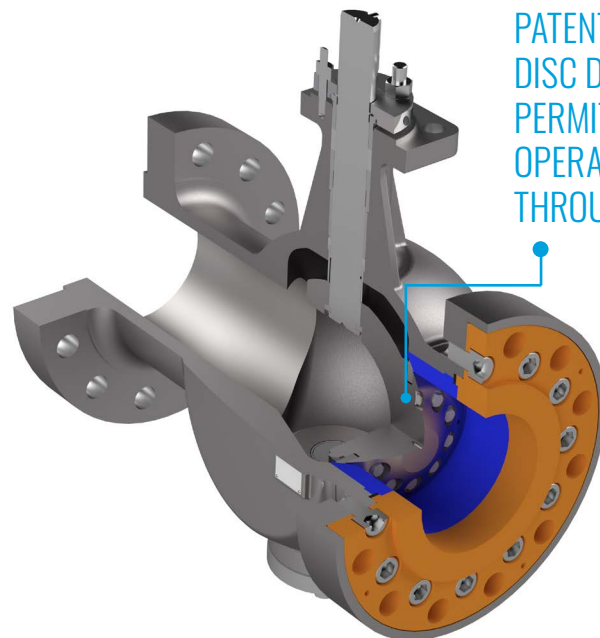
# CRANE® FK-TrieX™ - Full Port Triple Offset Isolation Valves For Severe Service



## FULL PORT TRIPLE OFFSET VALVE WITH CAVITY FREE DESIGN THAT PROVIDES ZERO LEAKAGE SHUTOFF

For severe service applications where safety, reliability, and efficient operation are paramount, the new FK-TrieX provides:

- ✓ Bi-directional bubble tight shutoff
- ✓ Unobstructed flow & high cv
- ✓ Cavity free self-cleaning design
- ✓ Superior fugitive emissions control
- ✓ High reliability
- ✓ Ease of serviceability
- ✓ Less weight, low total cost of ownership






PATENTED OPTIMIZED  
DISC DESIGN  
PERMITS FULL PORT  
OPERATION & GREATER  
THROUGHPUT

**CRANE**



[www.cranecpe.com](http://www.cranecpe.com)

# CRANE® FK-TrieX™ Features and Benefits

<b>SAFETY</b> 	<b>RELIABLE OPERATIONS</b> 	<b>LOW OVERALL COST</b> 
<ol style="list-style-type: none"> <li><b>1. Proven Triple Offset Sealing</b> Provides repeatable bi-directional zero leakage shutoff per API 598</li> <li><b>2. Torque Assisted Seating</b> Yields a better seal due to evenly distributed compression of the seal along the entire sealing area</li> <li><b>3. Superior Fugitive Emissions</b> Control Per ISO 15848-1 AH CO2 SSA0 &amp; API 641</li> <li><b>4. Fire Safe Design</b> Per API 607 standard</li> <li><b>5. Blow Out Proof Stem Design</b></li> <li><b>6. Single Piece Body</b> Eliminates additional leak path to atmosphere</li> </ol>	<ol style="list-style-type: none"> <li><b>7. Cavity-less Self-Cleaning Design</b> Ensures solids do not get trapped in valve crevices eliminating premature failure and jamming</li> <li><b>8. Standard Pressure Tight Bearing Design</b> eliminates problems of valve jamming and increased torque from polymerization and crystallization</li> <li><b>9. Reduced Friction Sealing</b> Minimizes wear that is typically seen in other technologies due to spring force or other impinging force on seat</li> <li><b>10. Replaceable Stellite Welded Seat &amp; Flexible Laminate Seals</b> Provide excellent shutoff and 2x life than stainless seats. 40 RC hardness rating</li> <li><b>11. API 6D Standard Full-Bore Design</b> Allows Pipeline Inspection Gauges (PIGs) and cleaning scrapers to pass through the valve in full open condition</li> <li><b>12. Optimal Flow Profile</b> In addition to standard full-bore design provides high Cv and low pressure drop across the valve</li> </ol>	<ol style="list-style-type: none"> <li><b>13. Modular Seat and Seal Design</b> Enables replacement of seat (TrieX ring) and laminate seals without having to replace the entire valve, and also reduces maintenance time and cost</li> <li><b>14. Quarter Turn Design</b> Eliminates the need for complex actuators</li> <li><b>15. Single Piece Body</b> Reduces weight by up to 10% to 20% decreasing structural support costs</li> <li><b>16. Same Face to Face Dimensions as Other Technologies</b> Per ASME B16.10 Long Pattern minimizes need for piping modifications</li> </ol>

## Materials of Construction

- WCB, WCC, LCB, LCC, WC6, WC9, C12 CF3M, CF8M; Duplex, Super Duplex, Monel®, Inconel, Hastelloy, Titanium, Zirconium

## Size Range

- 3" up to 24" in a single piece cast body design

## Pressure Ratings

- ASME Class 150, 300, 600

## Temperature Range

- -76°F up to 1022°F; -60°C up to 550°C, depending on material

## Body Configurations

- ASME B16.10: Double Flanged Long

## Standard Features

- Pressure Tight Bearing Design
- Full Port Design Per API6D
- FE Control ISO AH CO2, API 641
- Fire Safe Per API 607
- Cavity Free Design
- Removable Seat & Seal

## Typical Applications

- Chemical Processing
- Aromatics & Derivatives
- Chlor Alkali & Chlorinated Hydrocarbons
- Fluorinated Hydrocarbons
- Industrial Gases
- Inorganic Chemicals
- Inorganic Pigments
- Nitrogenous Fertilizers
- Olefins & Derivatives
- Organic Compounds
- Phosphatic Fertilizers
- Specialty Chemicals
- Synthetic Polymers, Plastics & Resins
- Refining
- Gas Processing
- Terminals
- Pulp & Paper
- Carbon Capture & Sequestration



## CRANE CHEMPHARMA & ENERGY

ARMATURE d.o.o.  
Koroška cesta 55  
2366 Muta,  
Slovenia  
Tel: +386 2 87 70 500

Crane Company, and its subsidiaries cannot accept responsibility for possible errors in catalogues, brochures, other printed materials, and website information. Crane Company reserves the right to alter its products without notice, including products already on order provided that such alteration can be made without changes being necessary in specifications already agreed. All trademarks in this material are the property of the Crane Company or its subsidiaries. The Crane and Crane brands logotype (ALOYCO®, BAUM®, CENTER LINE®, CRANE®, CRANE CRYOGENICS™, CRYOWORKS®, DEPA® & ELRO®, DOPAK®, DUO-CHEK®, FLOWSEAL®, GYROLOK®, GO REGULATOR®, HOKE®, JENKINS®, KROMBACH®, NOZ-CHEK®, PACIFIC®, RESISTOFLEX®, XOMOX®, SAUNDERS®, STOCKHAM®, TECHNIFAB®, TEXAS SAMPLING®, WESTLOCK®, WTA®, and XOMOX®) are registered trademarks of Crane Company. All rights reserved.